

BACKYARD

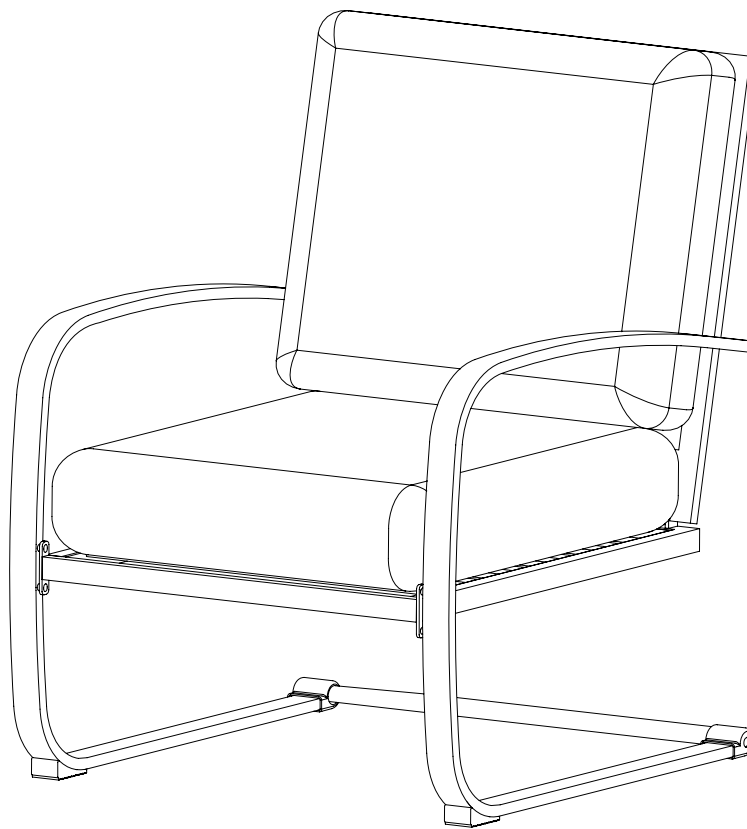
Creations®

Ellington Collection

Spring Chair

style # FSS60639R

sku # 2721067



>>assembly instructions

IMPORTANT WARNING:

Unpack the box on a clean soft level surface and make sure all parts have been included.
If you have any questions or concerns, please visit our website at: www.yotrioint.com
or toll free at: 1-866-905-4107 Monday-Friday 8:30 am to 5:00 am pacific standard time / 11:30 am to 8:00 pm eastern standard time.
or email us at: customerservice@yotrious.com

ATTENTION:

This Chair is not intended for use during any kind of inclement weather and the manufacturer is not and can not be held responsible for any damages caused as a result of such weather. Weather-related damage, or damage as a result of the Chair not being stored properly when not in use is not the responsibility of the manufacturer.

During extended periods of non-usage, off season, or in inclement weather (wind, rain, snow, hail, sleet), freezing conditions and extreme heat, the Chair needs to be stored in a dry sheltered place to prolong the life and to avoid damage to the Chair.

WARRANTY:

This Chair comes with a one year limited warranty against original manufacture defects. If you experience trouble with your chair, please call the customer service number below.
Toll Free at: 1-866-905-4107 Monday-Friday 8:30 am to 5:00 am pacific standard time / 11:30 am to 8:00 pm eastern standard time.
Or email us at: customerservice@yotrious.com

before you begin

1. Check for damage or missing parts. Call 1-866-905-4107 or email at customerservice@yotrious.com to order missing supplies.
2. Use the carton as a working surface to prevent product damage during assembly.
3. All tools needed for assembly are already included.

For longer life, cover and store when not in use.

Frame Care:

Wipe clean with damp cloth. Use only mild soap and detergents.

table of contents

introduction	2
hardware	4
parts list	5
assembly	6-9

hardware

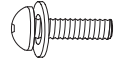
(Part E)×4

M6*45mm bolt with washer



(Part F)×8

M6*20mm bolt with washer



(Part G)×4

M6*25mm bolt



(Part H)×1

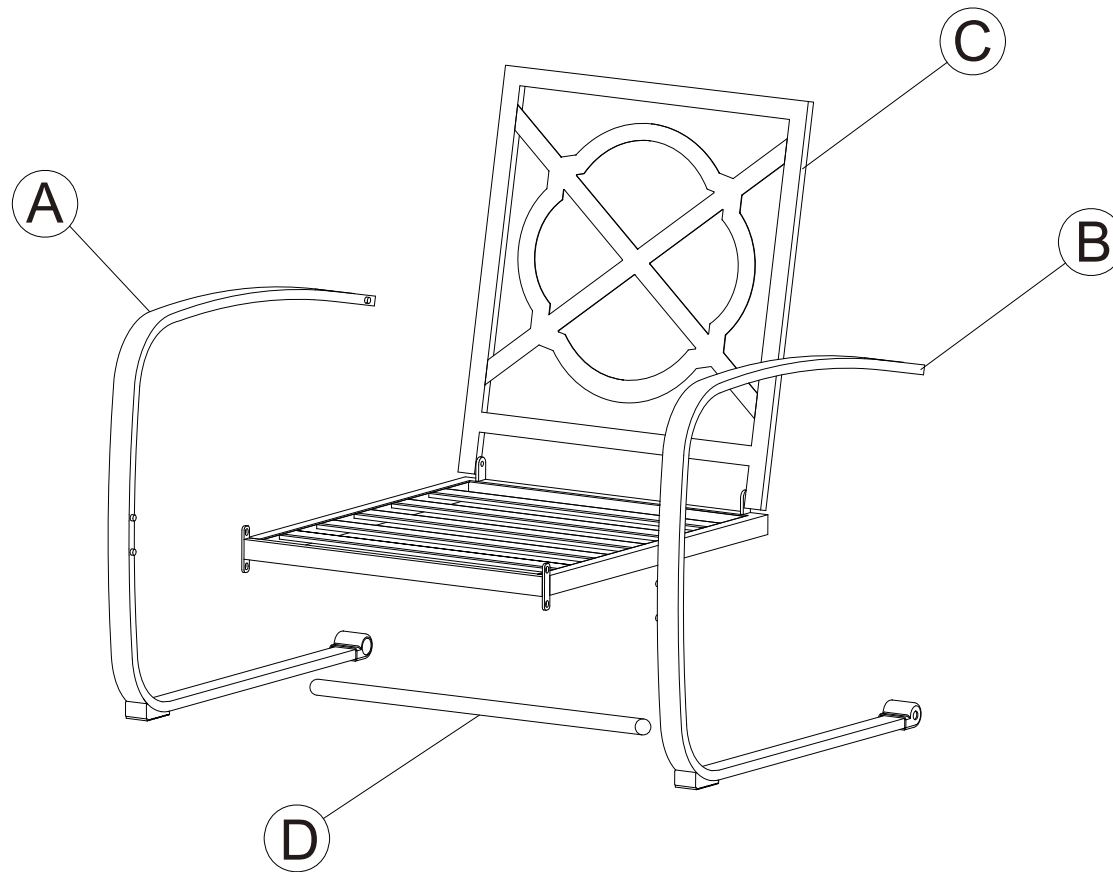
allen wrench



ATTENTION: THE HARDWARE KIT IS FOR 2 CHAIRS

ITEM	DESCRIPTION	QUANTITY
------	-------------	----------

A	leg 1	1
B	leg 2	1
C	chair frame	1
D	connect bar	1



step 01:

(Part E)×1
M6*45mm bolt with washer



(Part F)×2
M6*20mm bolt with washer

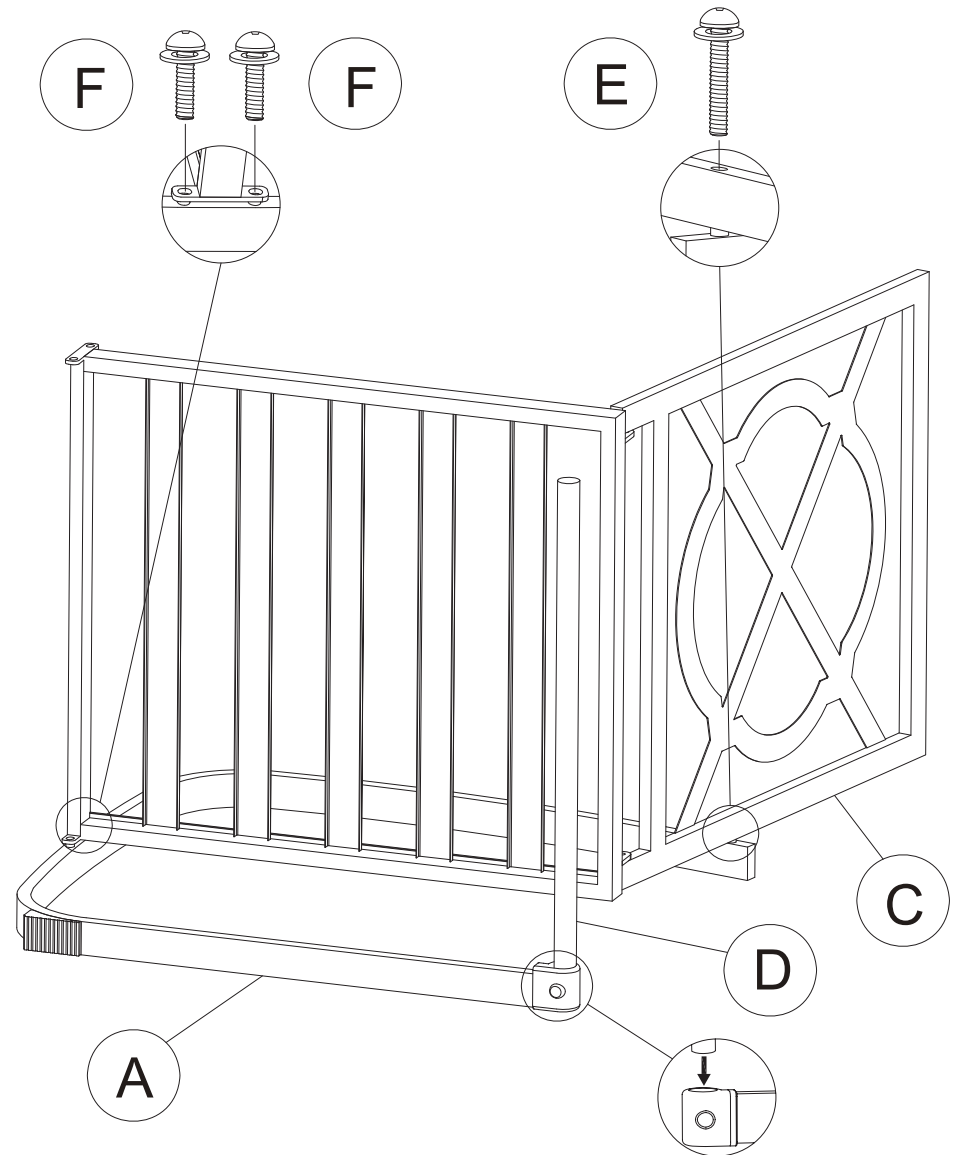


(Part H)×1
allen wrench



ATTENTION: To avoid damage to your new patio furniture, please use either the carton or another soft surface such as carpet as a working surface to prevent product damage during assembly.

1. Attach the chair frame (C) to the leg1 (A) by lining up the bolt holes.
2. Secure with M6*45mm bolt with washer (E) and M6*20mm bolt with washer (F) using allen wrench (H).
3. Insert the connect bar (D) into the leg1 (A).



Do not completely tighten screws until all screws are in place.

step 02:

(Part E)×1

M6*45mm bolt with washer



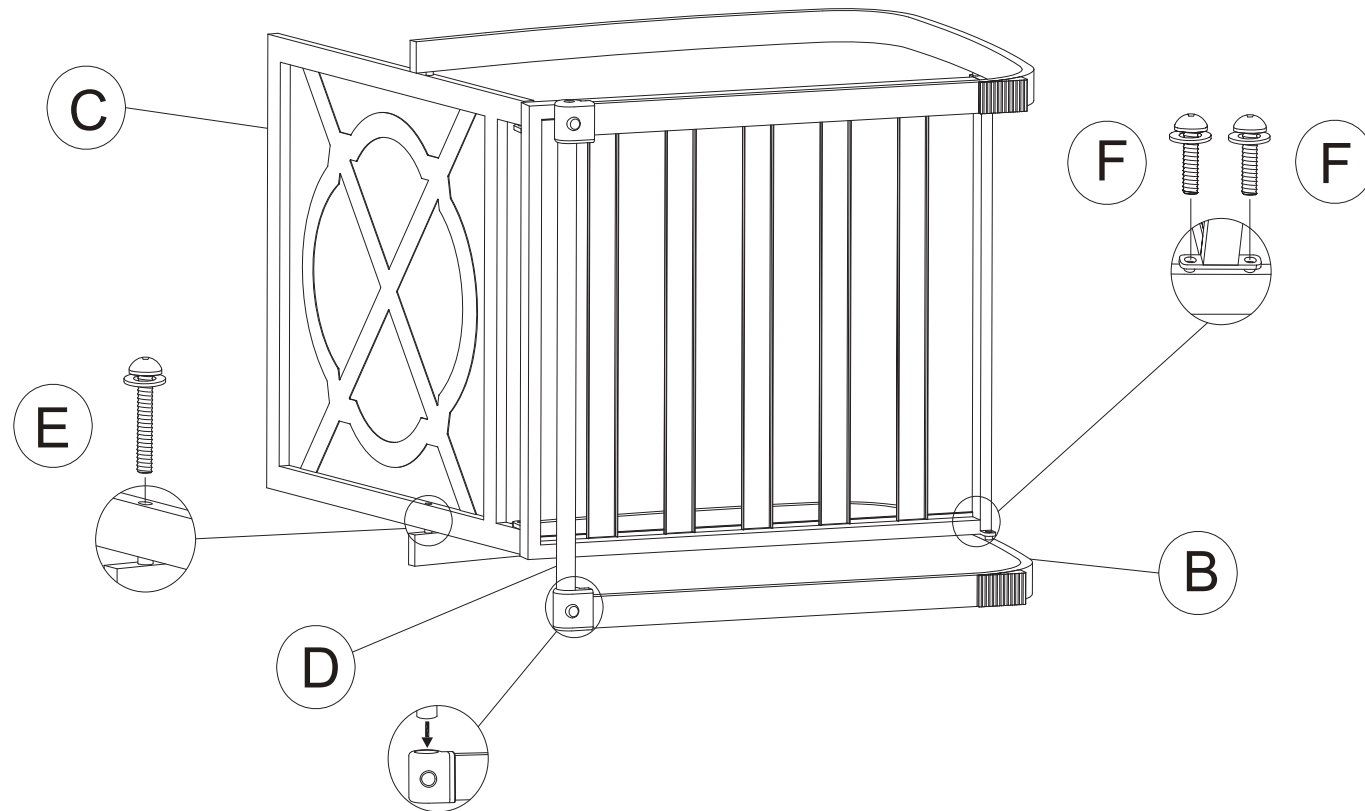
(Part F)×2

M6*20mm bolt with washer



(Part H)×1

allen wrench



1. Attach the chair frame (C) to the leg2 (B) by lining up the bolt holes.
2. Secure with M6*45mm bolt with washer (E) and M6*20mm bolt with washer (F) using allen wrench (H).
3. Insert the connect bar (D) into the leg2 (B).

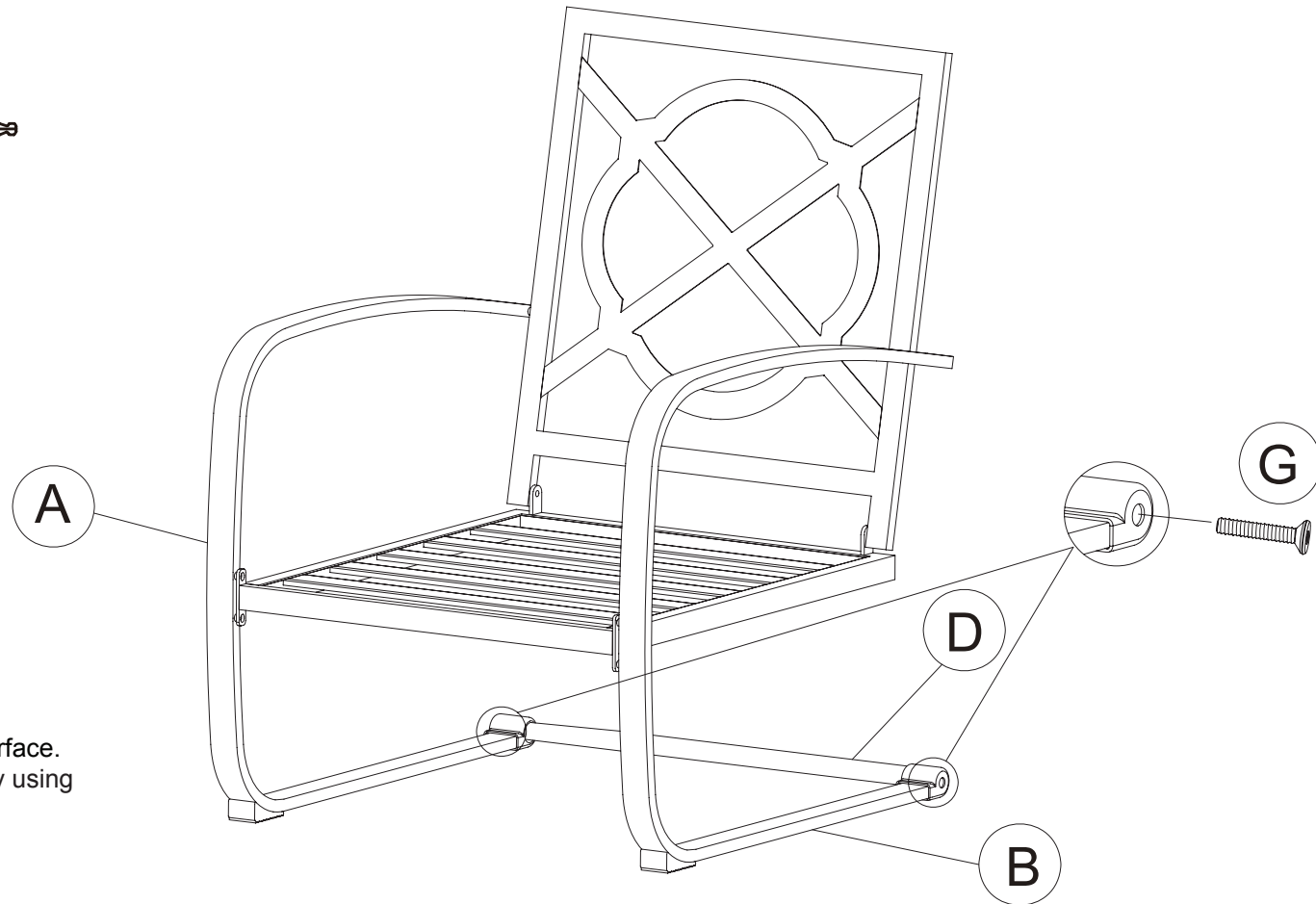
Do not completely tighten screws until all screws are in place.

step 03:

(Part G)×2
M6*25mm bolt



(Part H)×1
allen wrench



1. Turn the chair to upright position onto a flat level surface.
2. Fasten the connect bar (D), leg1 (A) and leg2 (B) by using M6*25mm bolt (G).

Do not completely tighten screws until all screws are in place.

step 04:

-
1. Tighten all the bolts.
 2. Put the seat cushion and back cushion on the chair.

You are now ready to enjoy your new spring chair.

