

BACKYARD

Creations®

Ellington Collection

3-Piece High Dining Set

style # FCS60622HST

sku # 2721196



>>assembly instructions

IMPORTANT WARNING:

Unpack the box on a clean soft level surface and make sure all parts have been included.
If you have any questions or concerns, please visit our website at: www.yotrioint.com
or toll free at: 1-866-905-4107 Monday-Friday 8:30 am to 5:00 am pacific standard time / 11:30 am to 8:00 pm eastern standard time.
or email us at: customerservice@yotriious.com

ATTENTION:

These Bar Chair and Bar Table are not intended for use during any kind of inclement weather and the manufacturer is not and can not be held responsible for any damages caused as a result of such weather. Weather-related damage, or damage as a result of the Bar Chair and Bar Table not being stored properly when not in use is not the responsibility of the manufacturer.

During extended periods of non-usage, off season, or in inclement weather (wind, rain, snow, hail, sleet), freezing conditions and extreme heat, the Bar Chair and Bar Table need to be stored in a dry sheltered place to prolong the life and to avoid damage to the Bar Chair and Bar Table.

WARRANTY:

These Bar Chair and Bar Table come with a one year limited warranty against original manufacture defects. If you experience trouble with your bar chair and bar table, please call the customer service number below.
Toll Free at: 1-866-905-4107 Monday-Friday 8:30 am to 5:00 am pacific standard time / 11:30 am to 8:00 pm eastern standard time.
Or email us at: customerservice@yotriious.com

before you begin

1. Check for damage or missing parts. Call 1-866-905-4107 or email at customerservice@yotriious.com to order missing supplies.
2. Use the carton as a working surface to prevent product damage during assembly.
3. All tools needed for assembly are already included.

For longer life, cover and store when not in use.

Frame Care:

Wipe clean with damp cloth. Use only mild soap and detergents.

table of contents

introduction	2
hardware	4
parts list	5
assembly	6-11

hardware

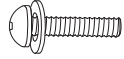
(Part I)×16

M6*15mm bolt with washer



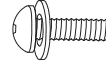
(Part J)×12

M6*30mm bolt with washer



(Part K)×16

M6*25mm bolt with washer



(Part L)×1

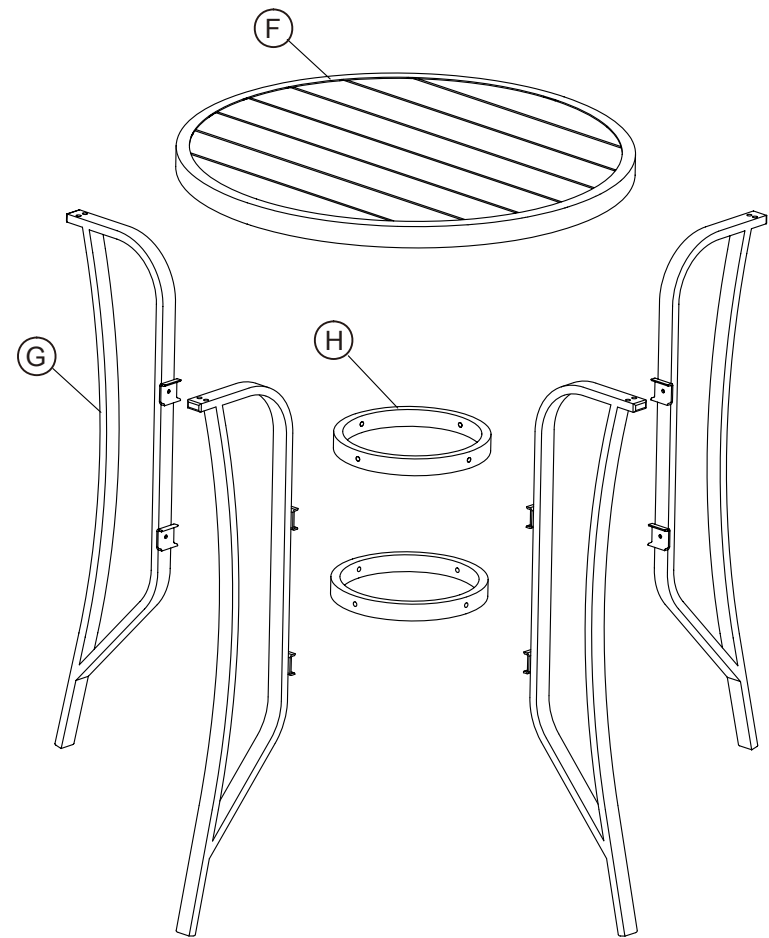
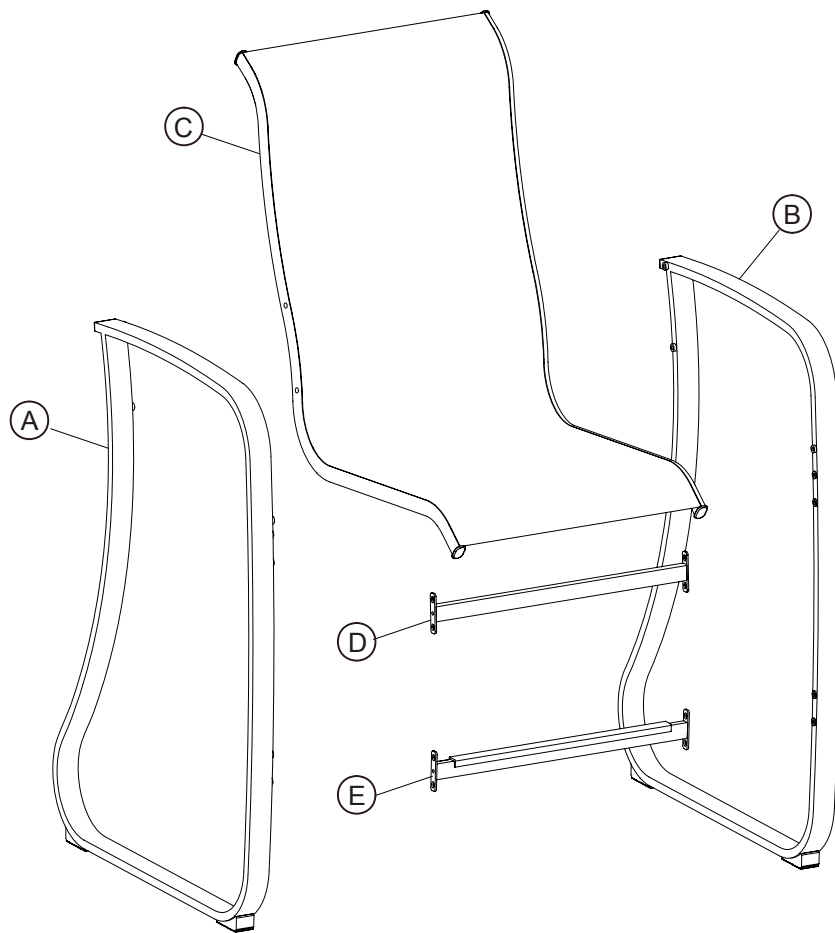
allen wrench



ATTENTION: THE HARDWARE KIT IS FOR 1 SET

ITEM	DESCRIPTION	QUANTITY
------	-------------	----------

A	right leg	1
B	left leg	1
C	seat	1
D	connect bar 1	1
E	connect bar 2	1
F	table top	1
G	table leg	4
H	connector bracket	2



step 01:

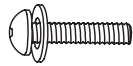
(Part I)×4

M6*15mm bolt with washer



(Part J)×3

M6*30mm bolt with washer



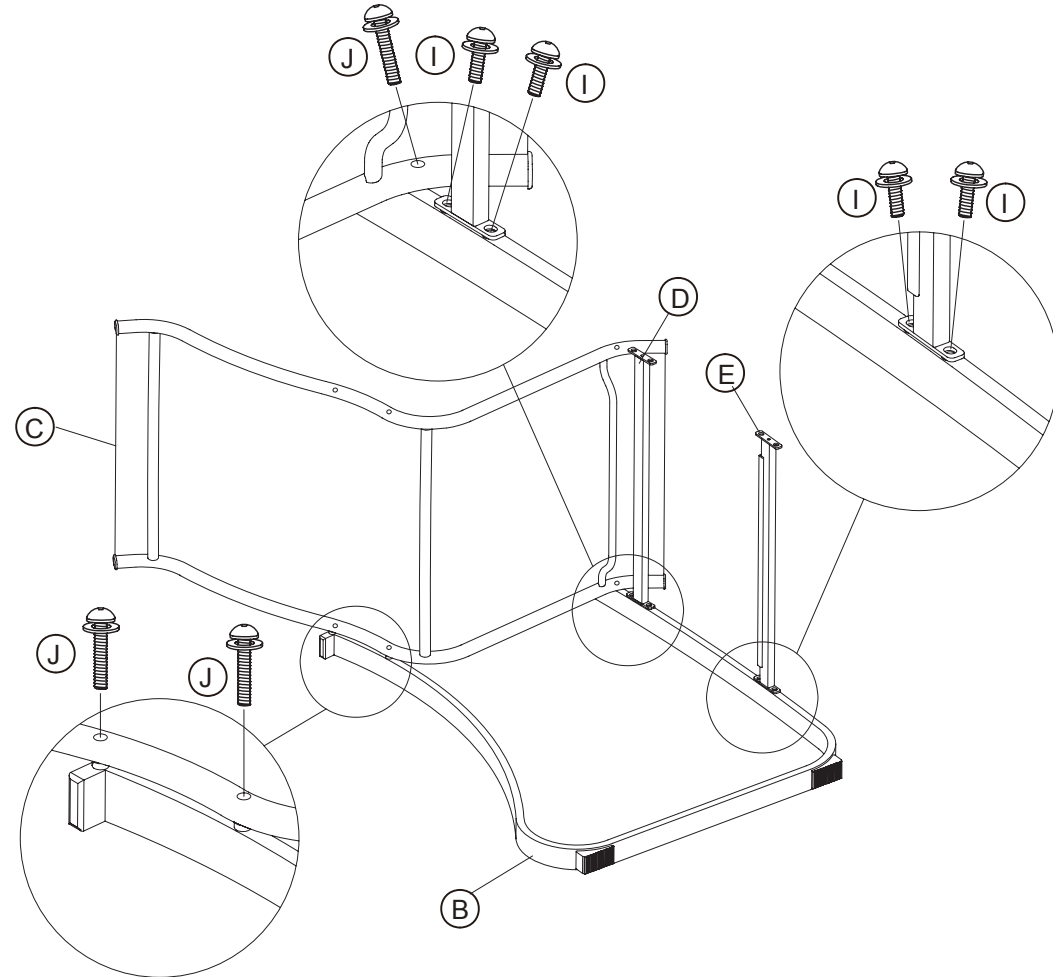
(Part L)×1

allen wrench



ATTENTION: To avoid damage to your new patio furniture, please use either the carton or another soft surface such as carpet as a working surface to prevent product damage during assembly.

1. Attach the left leg (B) to the seat (C) by lining up the bolt holes.
2. Secure with M6*30mm bolt with washer (J) using allen wrench (L).
3. Attach the connect bar1 (D) and connect bar2 (E) to the left leg (B), secure with M6*15mm bolt with washer (I) using allen wrench (L).



Do not completely tighten screws until all screws are in place.

step 02:

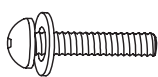
(Part I)×4

M6*15mm bolt with washer



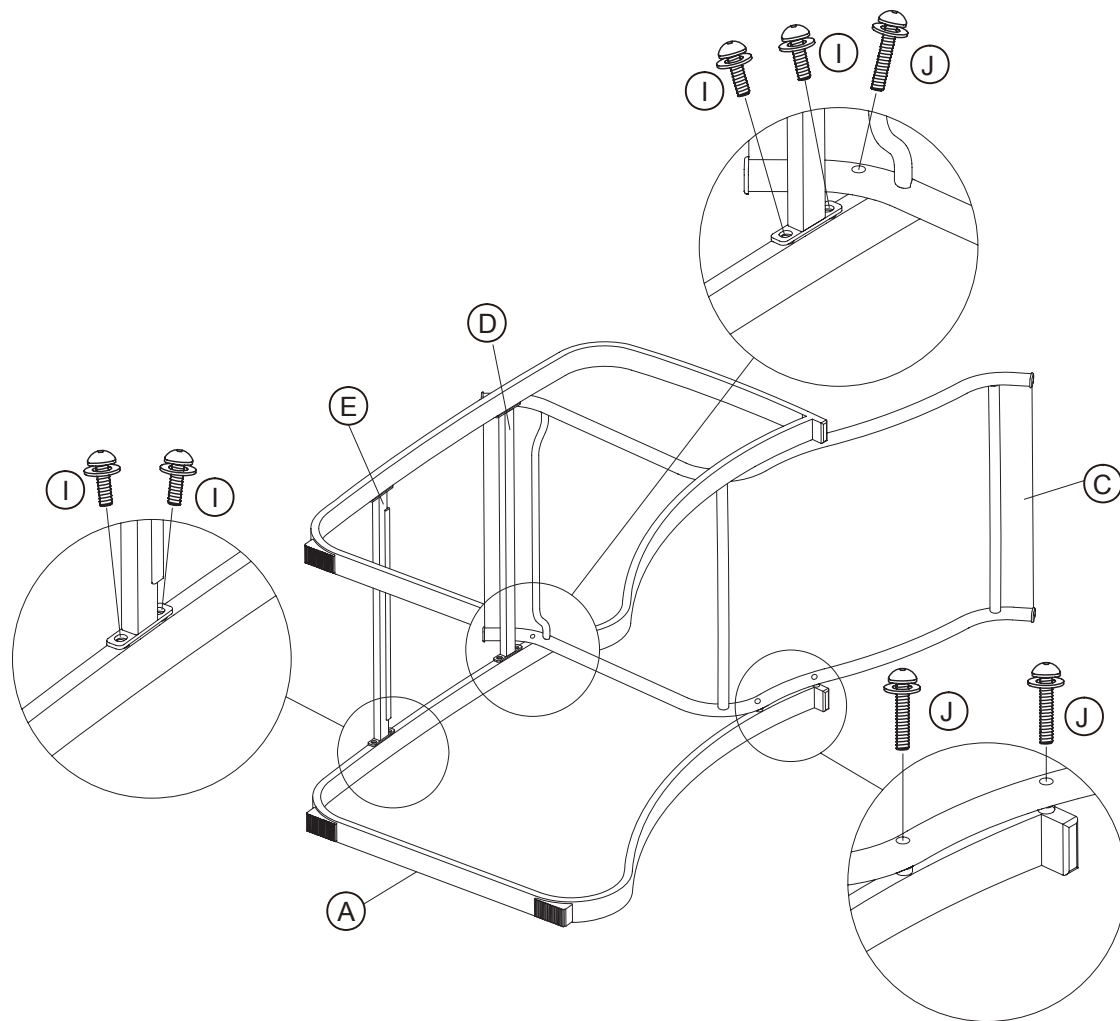
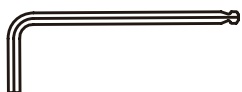
(Part J)×3

M6*30mm bolt with washer



(Part L)×1

allen wrench



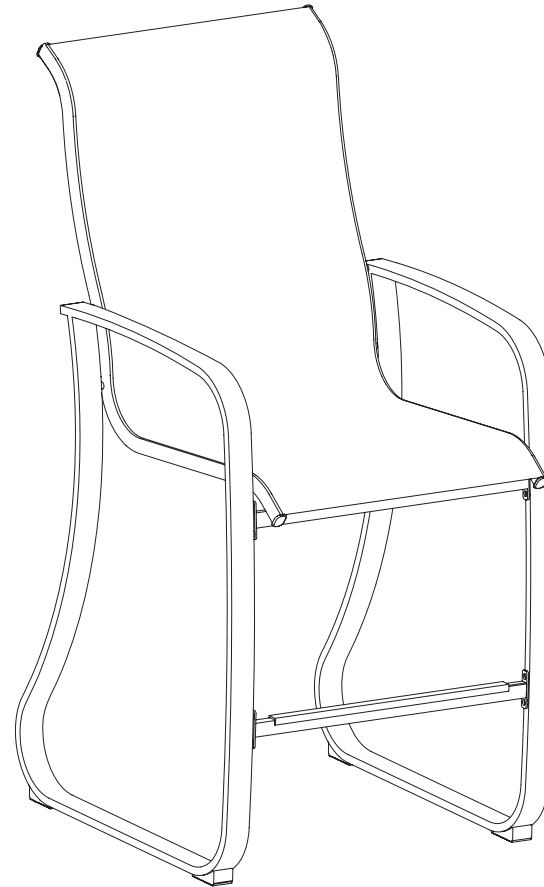
1. Attach the right leg (A) to the seat (C) by lining up the bolt holes.
2. Secure with M6*30mm bolt with washer (J) using allen wrench (L).
3. Attach the connect bar1 (D) and connect bar2 (E) to the right leg (A), secure with M6*15mm bolt with washer (I) using allen wrench (L)

Do not completely tighten screws until all screws are in place.

step 03:

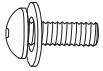
-
1. Tighten all the bolts.
 2. Turn the chair to upright position onto a flat level surface.

You are now ready to enjoy your new bar chair.

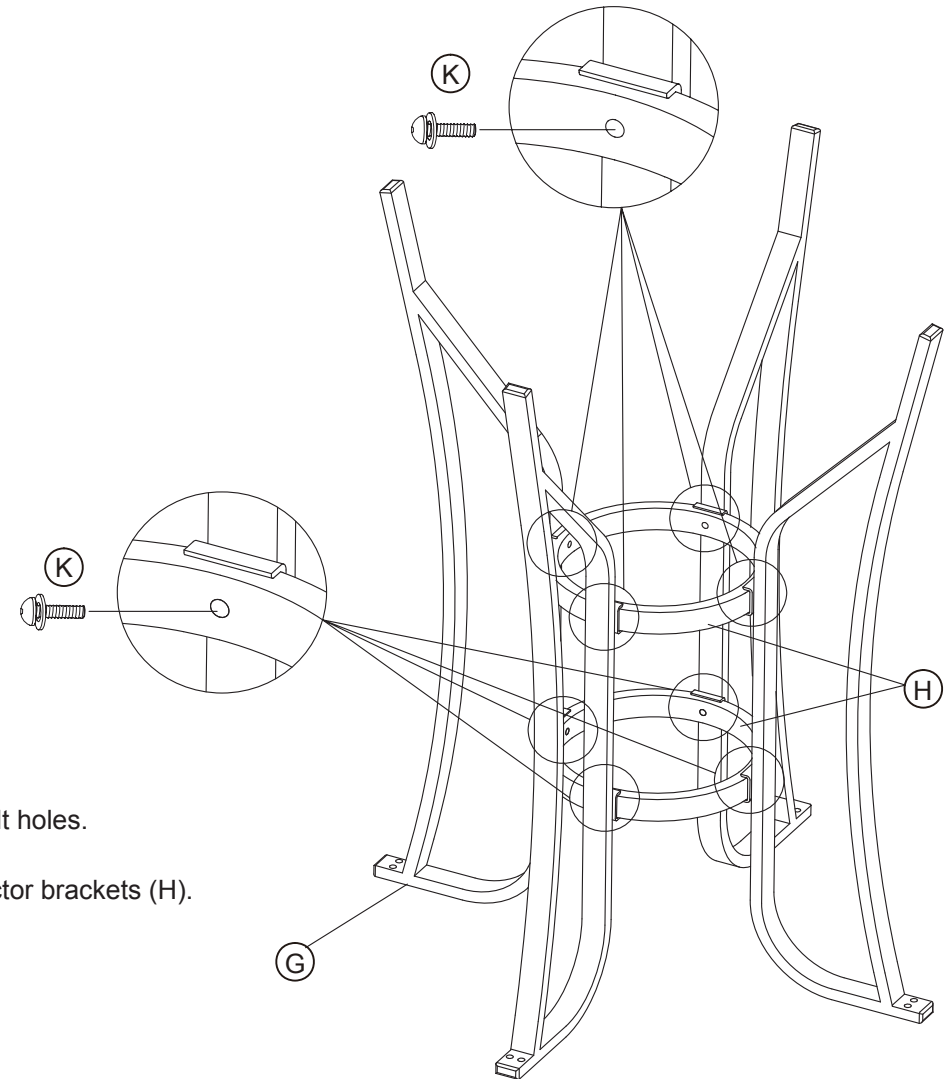


step 04:

(Part K)×8
M6*25mm bolt with washer



(Part L)×1
allen wrench



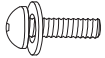
1. Attach the connector brackets (H) to the table legs (G) by lining up the bolt holes.
2. Secure with M6*25mm bolt with washer (K) using allen wrench (L).
3. Repeat above steps until the 4 table legs (G) are secured with the connector brackets (H).

Do not completely tighten screws until all screws are in place.

step 05:

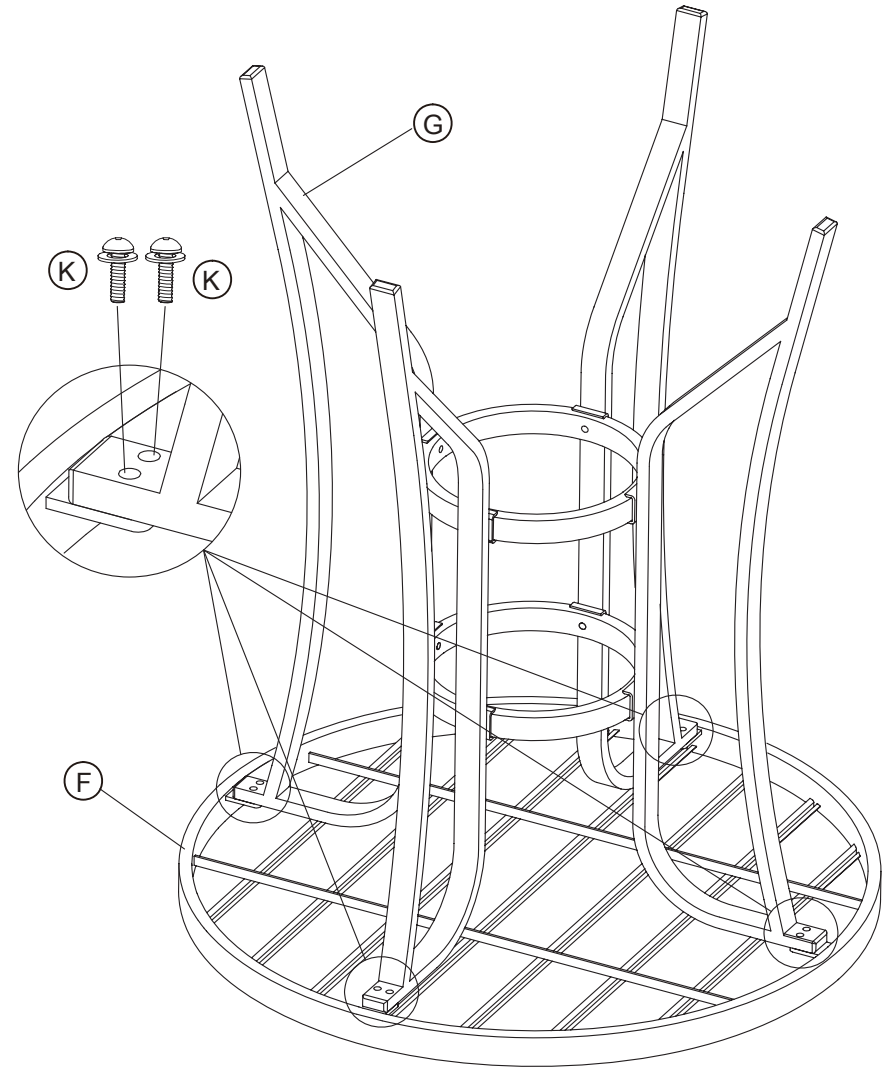
(Part K)×8

M6*25mm bolt with washer



(Part L)×1

allen wrench



1. Attach the table leg (G) to the table top (F) by lining up the bolt holes.
2. Secure with M6*25mm bolt with washer (K) using allen wrench (L).
3. Repeat above step until the 4 table legs (G) are secured with the table top (F).

Do not completely tighten screws until all screws are in place.

step 06:

-
1. Tighten all the bolts.
 2. Turn the chair to upright position onto a flat level surface.

You are now ready to enjoy your new bar table.

