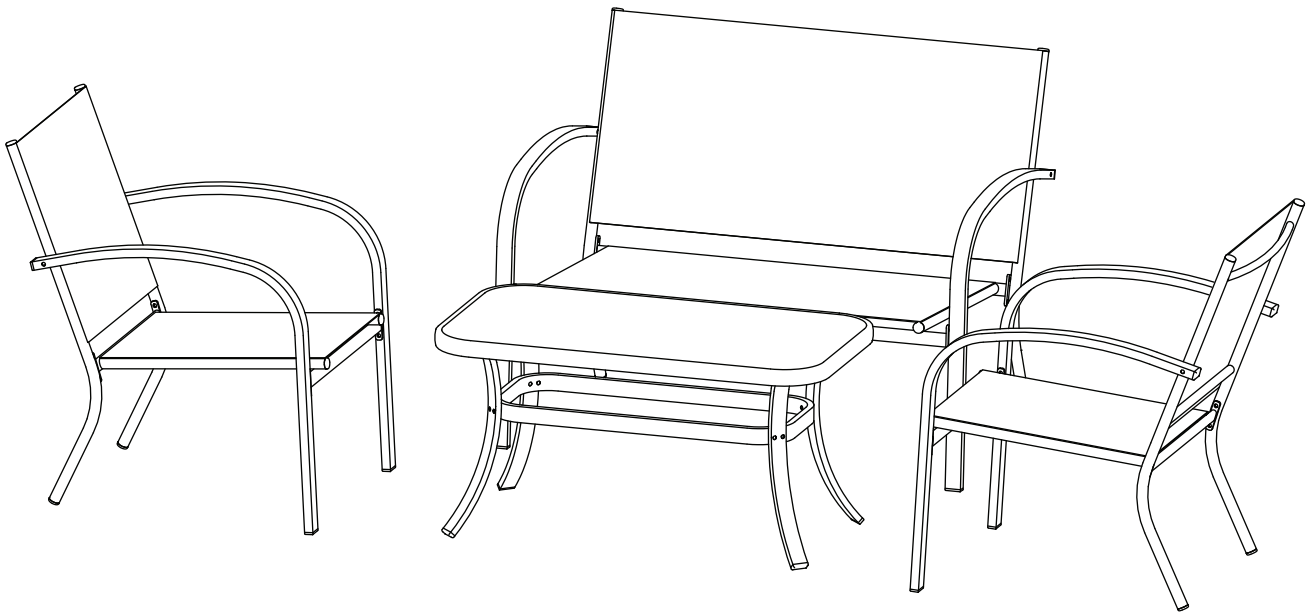




4-PC CONVERSATION DINING SET

Model No. 399-4002-4



Assembly Instructions

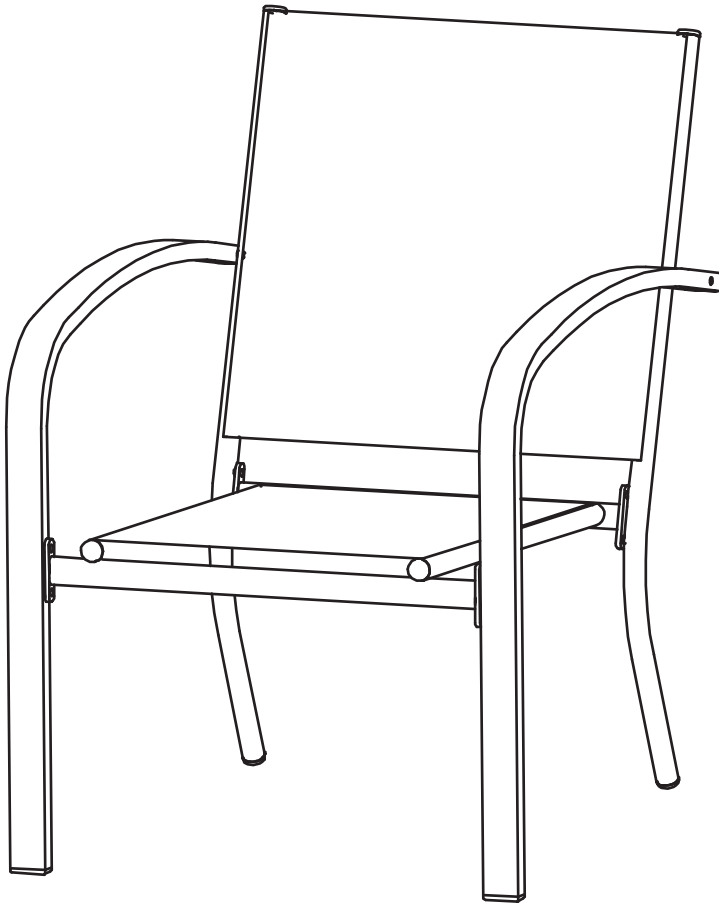
Toll-free: 877-483-6759

IMPORTANT: Please read this manual carefully before beginning assembly of this product.
Keep this manual for future reference.



4-PC CONVERSATION DINING SET- CHAIR

Model No. 399-4002-4



Assembly Instructions

Toll-free: 877-483-6759

IMPORTANT: Please read this manual carefully before beginning assembly of this product.
Keep this manual for future reference.

Table of Contents	2
Important Safety Instructions	2
Parts List	3
Assembly	4-7
Cleaning and Maintenance	8
Technical Data	8
Warranty	9



Warning! To reduce the risk of serious injury, read the following safety instructions before assembling and using the product.

Caution! Always keep children under close supervision while they are using or around this product. Never leave children unattended.

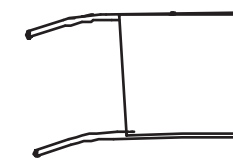
- This product is intended for domestic outdoor use only.
- The product should be placed on flat horizontal ground.
- Any assembly or maintenance of the product must be carried out by adults only.
- Arrange necessary manpower when assembling or moving the product.
- Some parts may contain sharp edges. Wear protective gloves if necessary.
- Keep children and pets away while setting up the product.
- Check all nuts and bolts periodically for tightness. When required, tighten them again.
- If the product will not be used for a long period (e.g. winter time), it should be stored in a clean, dry environment.
- Do not light any fires below or near the product!
- Do not hang any weights on the frame.

When it comes to products for your home, it's essential they stand up to the realities of everyday family life. Designed with your family in mind, For Living™ products combine timeless style and family-friendly features. Now you can focus on what's important—creating lasting memories with your family.

IMPORTANT: RETAIN FOR FUTURE REFERENCE AND READ CAREFULLY.

A

Back frame - 1



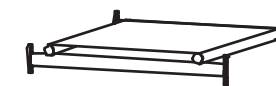
AA

M6x15 Combination bolt & washer - 8



B

Seat frame - 1



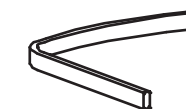
BB

M6x55 Combination bolt & washer - 2



C

Left arm - 1



CC

Hex key - 1



D

Right arm - 1



FOR EASY ASSEMBLY, DO NOT COMPLETELY TIGHTEN BOLTS INTO THE FRAME UNTIL ALL BOLTS HAVE BEEN INSERTED FOR THAT PHASE OF ASSEMBLY. ONLY AT THE FINAL STEP OF ASSEMBLY, SECURELY TIGHTEN ALL BOLTS AND HARDWARE.

**Caution!**

- Do not place the product underneath electrical lines.
- Keep children away during assembly.
- This product contains small parts which can be swallowed by children.
- Keep fingers away from places where they can be pinched or trapped.

**Let us help you!**

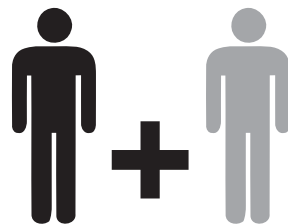
DO NOT RETURN YOUR PRODUCT TO THE STORE. CALL US FIRST!
877-483-6759

If you have questions regarding your product, require warranty assistance, or have damaged or missing parts, please call our customer service toll-free helpline. Contact us for assistance; we're here to help.

IMPORTANT: Please read and understand this manual before any assembly. Before beginning assembly of product, make sure all parts are present. Compare parts with packaging contents list. If any part is missing, or if you have any questions, contact the service centre at 877-483-6759 (toll free).

Place all parts from the box in a cleared area and position them on the floor in front of you. Remove all packing materials and place them back into the box. Do not dispose of the packing materials until assembly is complete. Read each step carefully before beginning any assembly and make sure you understand each step. If you are missing a part, please call our toll-free number for assistance at 877-483-6759.

Needed for assembly:

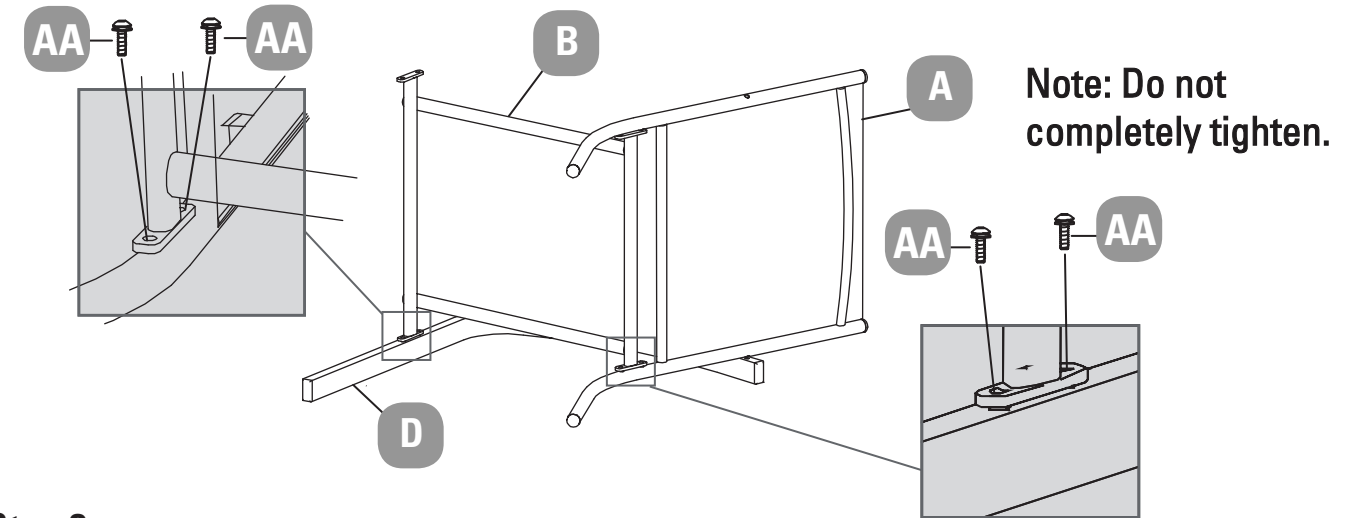


2 people

Step 1

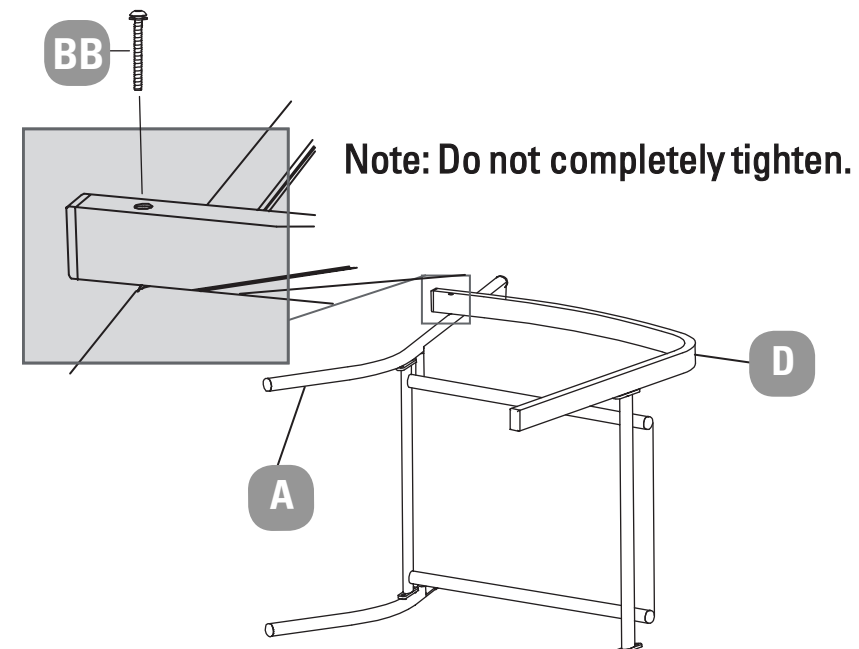
Requires **A, B, D, AA, CC**

Attach the seat frame (B) to the right arm (D) and back frame (A). Line up the bolt holes on the seat frame (B) with the corresponding bolt holes on the right arm (D) and back frame (A). Insert M6x15 combination bolts and washers (AA) and lightly tighten the bolts using the hex key (CC). Do not completely tighten until all assembly is complete.

**Step 2**

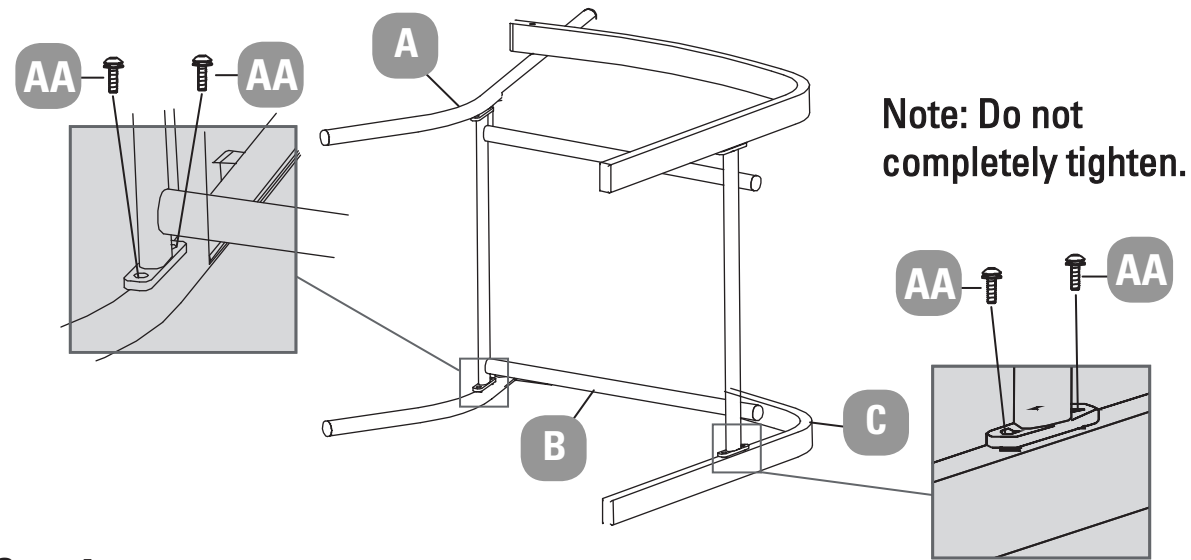
Requires **A, D, BB, CC**

Attach right arm (D) to back frame (A) by lining up bolt holes on the right arm (D) with corresponding bolt holes on back frame (A). Insert the M6x55 combination bolt with washer (BB) and lightly tighten using hex key (CC). Do not completely tighten until all assembly is complete.

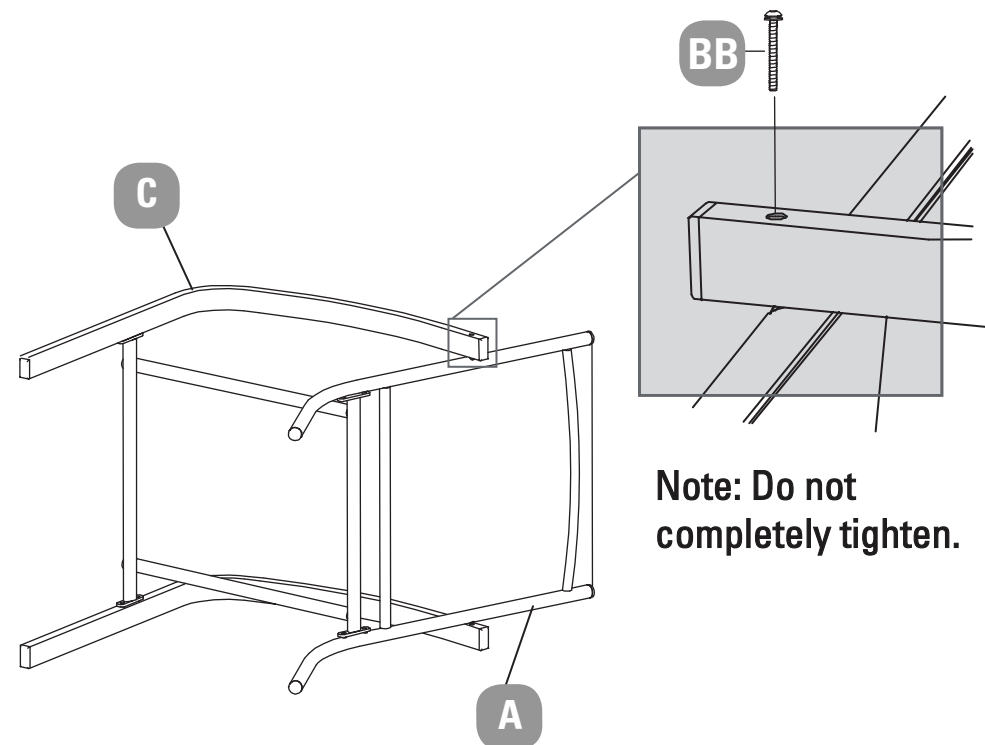


Step 3Requires **A, B, C, AA, CC**

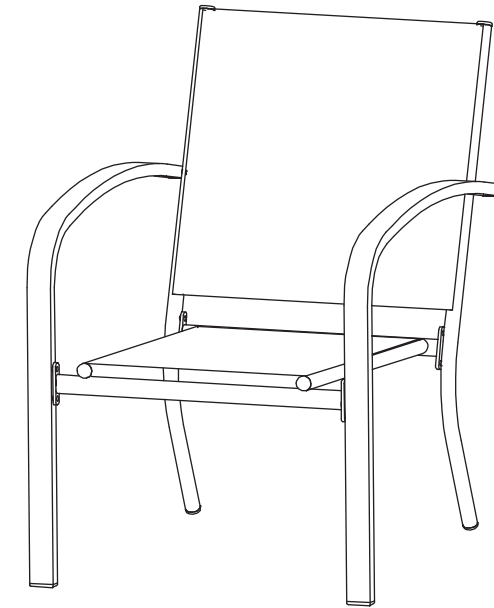
Attach the seat frame (B) to the left arm (C) and back frame (A). Line up the bolt holes on the seat frame (B) with the corresponding bolt holes on the left arm (C) and back frame (A). Insert M6x15 combination bolts and washers (AA) and lightly tighten the bolts using the hex key (CC). Do not completely tighten until all assembly is complete.

**Step 4**Requires **A, C, BB, CC**

Attach left arm (C) to back frame (A) by lining up bolt holes on the left arm (C) with corresponding bolt holes on back frame (A). Insert the M6x55 combination bolt with washer (BB) and lightly tighten using hex key (CC).

**Step 5**Requires **CC**

Ensure all bolts are securely tightened using the hex key (CC). Turn the chair the correct way up. Your chair is now complete and ready to use.



**Caution!**

- Check all bolts and nuts periodically for tightness, fastening them again as required.
- Disassemble the product in the reverse order of the assembly steps. Always disassemble the product completely. A partially disassembled product is not stable enough to resist wind and bad weather, and therefore can be damaged and/or cause damage.
- Clean the product with mild soap and water. Rinse thoroughly, and wait until the product is dry before reassembling it.

- Wipe with a damp cloth. Use mild detergent and water, rinse with clear water and pat out excess moisture with a dry towel.

- Water should be cold to lukewarm, never more than 25°C (77°F).

- Air dry only.

- Do not use bleach, acid, or other abrasive cleaners on the frame parts.
- Steel components of garden accessories and furniture are treated with rust-inhibiting paint. However, due to the nature of steel, surface oxidation (rusting) will occur if this protective coating is scratched. This is a natural process. To minimize this condition, it is recommended that care be taken when assembling and handling the product, in order to prevent the paint from being scratched. If scratching or damage occurs, it is recommended that the area be touched up immediately with rust-inhibiting paint, which is supplied with the product. Surface rust can be removed easily using a very light application of common cooking oil. If surface oxidation (rusting) occurs and no measures are taken to correct it, the oxidation may start dripping onto the assembly surface, which may cause damaging stains that may be difficult to remove.

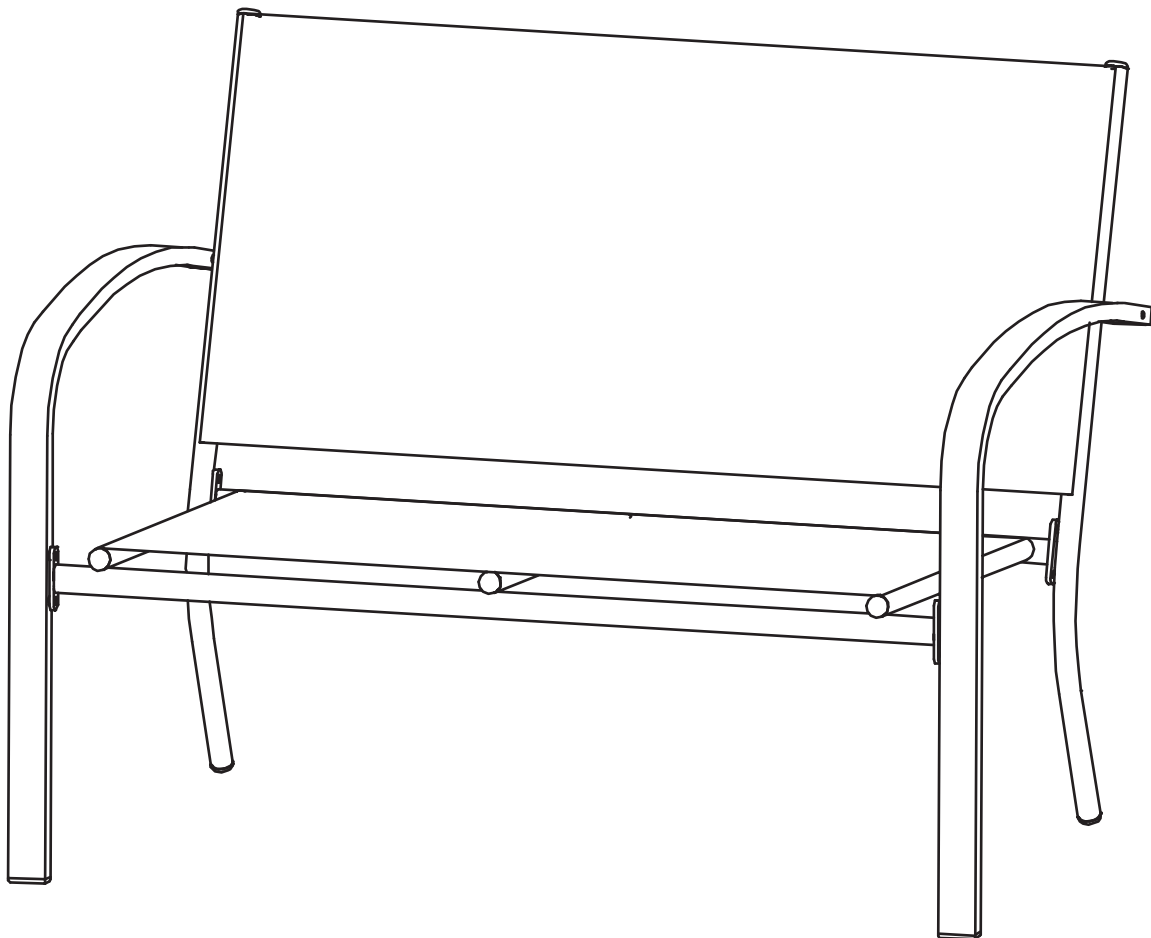
Dimensions (L x W x H)	23 x 28 1/2 x 31 7/8"
	58.5 x 72.5 x 81 cm
Product weight	9 lb 14 1/2oz
	4.5 kg
Weight capacity	225 lbs
	102 kg

This For Living product carries a one (1) year warranty against defects in workmanship and materials. Trileaf Distribution agrees to replace the defective product free of charge within the stated warranty period, when returned by the original purchaser with proof of purchase. This product is not guaranteed against wear or breakage due to misuse and/or abuse.



4 PC CONVERSATION DINING SET - LOVESEAT

Model No. 399-4002-4



Assembly Instructions

Toll-free: 877-483-6759

IMPORTANT: Please read this manual carefully before beginning assembly of this product.
Keep this manual for future reference.

Table of Contents	2
Important Safety Instructions	2
Parts List	3
Assembly	4-7
Cleaning and Maintenance	8
Technical Data	8
Warranty	9



Warning! To reduce the risk of serious injury, read the following safety instructions before assembling and using the product.

Caution! Always keep children under close supervision while they are using or around this product. Never leave children unattended.

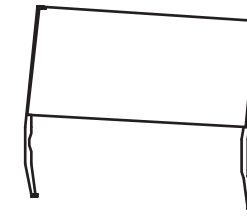
- This product is intended for domestic outdoor use only.
- The product should be placed on flat horizontal ground.
- Any assembly or maintenance of the product must be carried out by adults only.
- Arrange necessary manpower when assembling or moving the product.
- Some parts may contain sharp edges. Wear protective gloves if necessary.
- Keep children and pets away while setting up the product.
- Check all nuts and bolts periodically for tightness. When required, tighten them again.
- If the product will not be used for a long period (e.g. winter time), it should be stored in a clean, dry environment.
- Do not light any fires below or near the product!
- Do not hang any weights on the frame.

When it comes to products for your home, it's essential they stand up to the realities of everyday family life. Designed with your family in mind, For Living™ products combine timeless style and family-friendly features. Now you can focus on what's important—creating lasting memories with your family.

IMPORTANT: RETAIN FOR FUTURE REFERENCE AND READ CAREFULLY.

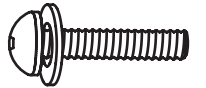
A

Back frame - 1



AA

M6x15 Combination bolt & washer - 8



B

Seat frame - 1



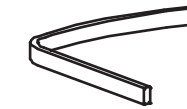
BB

M6x55 Combination bolt & washer - 2



C

Left arm - 1



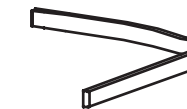
CC

Hex key - 1



D

Right arm - 1



FOR EASY ASSEMBLY, DO NOT COMPLETELY TIGHTEN BOLTS INTO THE FRAME UNTIL ALL BOLTS HAVE BEEN INSERTED FOR THAT PHASE OF ASSEMBLY. ONLY AT THE FINAL STEP OF ASSEMBLY, SECURELY TIGHTEN ALL BOLTS AND HARDWARE.

**Caution!**

- Do not place the product underneath electrical lines.
- Keep children away during assembly.
- This product contains small parts which can be swallowed by children.
- Keep fingers away from places where they can be pinched or trapped.

**Let us help you!**

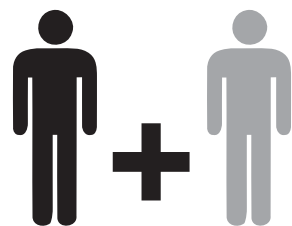
DO NOT RETURN YOUR PRODUCT TO THE STORE. CALL US FIRST!
877-483-6759

If you have questions regarding your product, require warranty assistance, or have damaged or missing parts, please call our customer service toll-free helpline. Contact us for assistance; we're here to help.

IMPORTANT: Please read and understand this manual before any assembly. Before beginning assembly of product, make sure all parts are present. Compare parts with packaging contents list. If any part is missing, or if you have any questions, contact the service centre at 877-483-6759 (toll free).

Place all parts from the box in a cleared area and position them on the floor in front of you. Remove all packing materials and place them back into the box. Do not dispose of the packing materials until assembly is complete. Read each step carefully before beginning any assembly and make sure you understand each step. If you are missing a part, please call our toll-free number for assistance at 877-483-6759.

Needed for assembly:

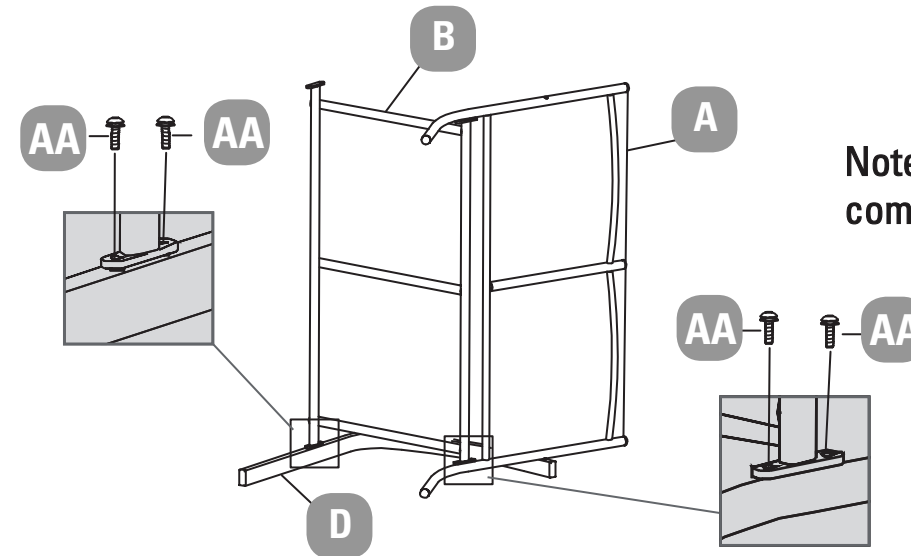


2 people

Step 1

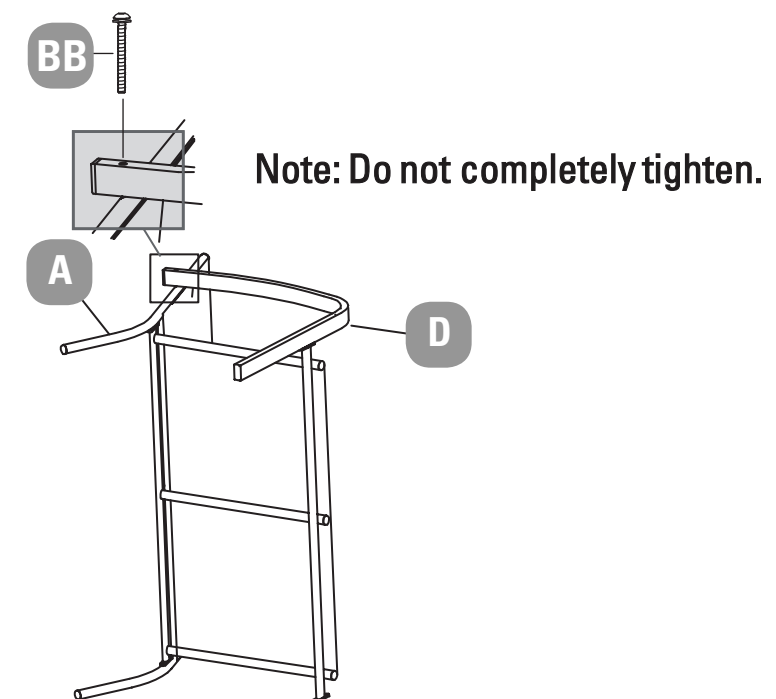
Requires : **A, B, D, AA, CC**

Attach the seat frame (B) to the right arm (D) and back frame (A). Line up the bolt holes on the seat frame (B) with the corresponding bolt holes on the right arm (D) and back frame (A). Insert M6x15 combination bolts and washers (AA) and lightly tighten the bolts using the hex key (CC). Do not completely tighten until all assembly is complete.

**Step 2**

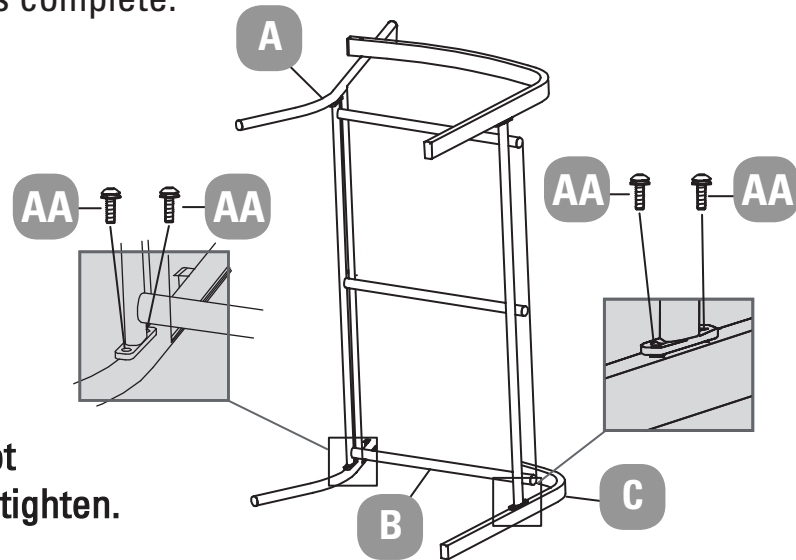
Requires : **A, D, BB, CC**

Attach back frame (A) to right arm (D). Line up the bolt holes on the back frame (A) with the corresponding bolt holes on the right arm (D). Insert M6x55 combination bolts and washers (BB) and lightly tighten the bolts using the hex key (CC). Do not completely tighten until all assembly is complete.



Step 3Requires : **A, B, C, AA, CC**

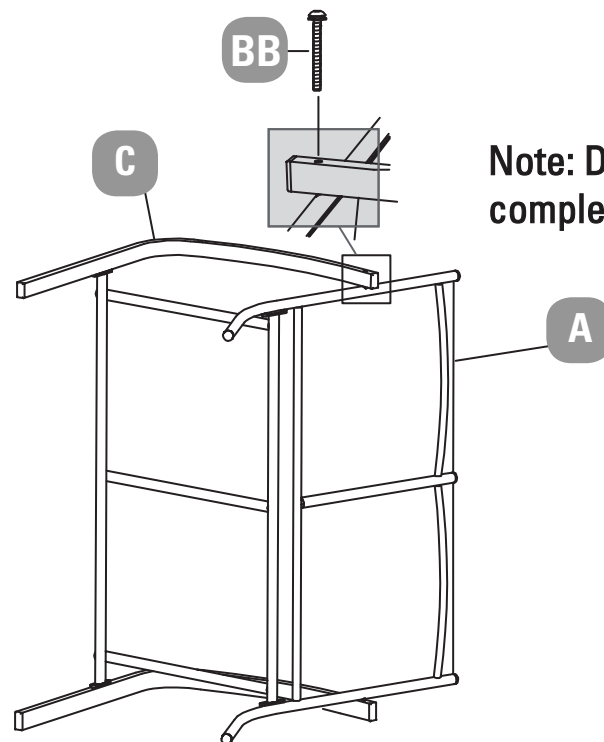
Attach the seat frame (B) to the left arm (C) and back frame (A). Line up the bolt holes on the seat frame (B) with the corresponding bolt holes on the left arm (C) and back frame (A). Insert M6x15 combination bolts and washers (AA) and lightly tighten the bolts using the hex key(CC). Do not completely tighten until all assembly is complete.



Note: Do not completely tighten.

Step 4Requires : **A, BB, CC**

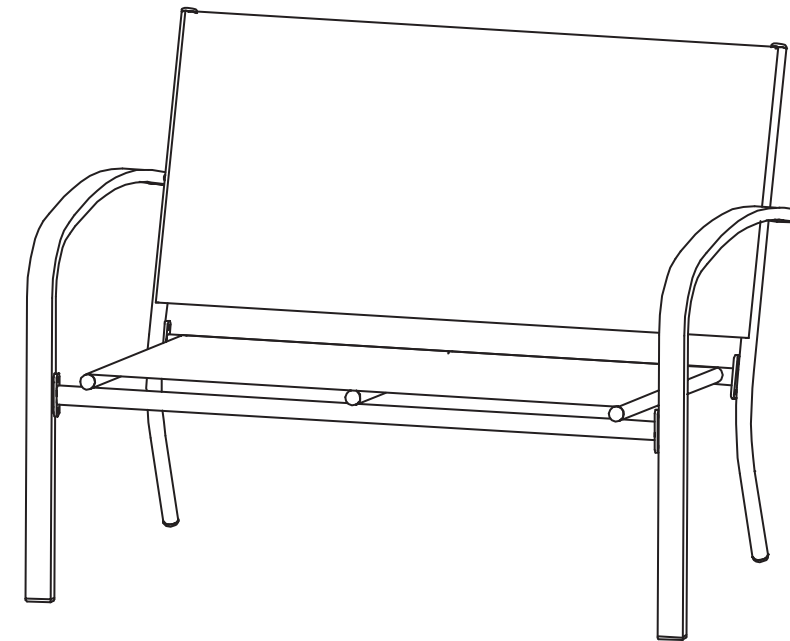
Attach left arm (C) to back frame (A) by lining up bolt holes on the left arm (C) with corresponding bolt holes on back frame (A). Insert the M6x55 combination bolt with washer(BB) and lightly tighten using hex key (CC).



Note: Do not completely tighten.

Step 5Requires : **CC**

Ensure all bolts are securely tightened using the hex key (CC). Turn the chair the correct way up. Your chair is now complete and ready to use.



**Caution!**

- Check all bolts and nuts periodically for tightness, fastening them again as required.
- Disassemble the product in the reverse order of the assembly steps. Always disassemble the product completely. A partially disassembled product is not stable enough to resist wind and bad weather, and therefore can be damaged and/or cause damage.
- Clean the product with mild soap and water. Rinse thoroughly, and wait until the product is dry before reassembling it.

- Wipe with a damp cloth. Use mild detergent and water, rinse with clear water and pat out excess moisture with a dry towel.

- Water should be cold to lukewarm, never more than 25°C (77°F).

- Air dry only.

- Do not use bleach, acid, or other abrasive cleaners on the frame parts.
- Steel components of garden accessories and furniture are treated with rust-inhibiting paint. However, due to the nature of steel, surface oxidation (rusting) will occur if this protective coating is scratched. This is a natural process. To minimize this condition, it is recommended that care be taken when assembling and handling the product, in order to prevent the paint from being scratched. If scratching or damage occurs, it is recommended that the area be touched up immediately with rust-inhibiting paint, which is supplied with the product. Surface rust can be removed easily using a very light application of common cooking oil. If surface oxidation (rusting) occurs and no measures are taken to correct it, the oxidation may start dripping onto the assembly surface, which may cause damaging stains that may be difficult to remove.

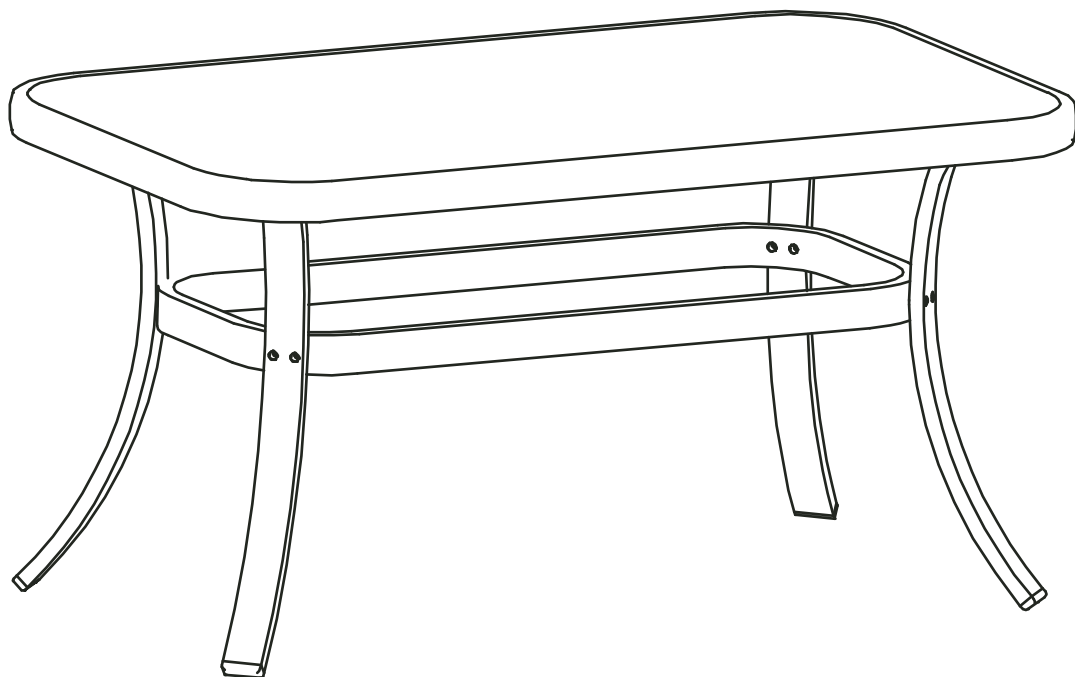
Dimensions (L x W x H)	42 1/2 x 28 1/2 x 31 7/8"
	108 x 72.5 x 81 cm
Product weight	15 lb 7 oz
	7 kg
Weight capacity	225 lb per seat
	102 kg per seat

This For Living product carries a one (1) year warranty against defects in workmanship and materials. Trileaf Distribution agrees to replace the defective product free of charge within the stated warranty period, when returned by the original purchaser with proof of purchase. This product is not guaranteed against wear or breakage due to misuse and/or abuse.



SLING 4 PC CONVERSATION SET- TABLE

Model No. 399-4002-4



Assembly Instructions

Toll-free: 877-483-6759

IMPORTANT: Please read this manual carefully before beginning assembly of this product.
Keep this manual for future reference.

Table of Contents	3
Important Safety Instructions	3
Parts List	4
Assembly	6
Cleaning and Maintenance	8
Technical Data	8
Warranty	9





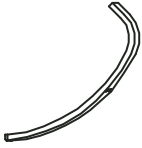


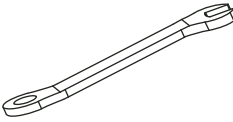


Warning! To reduce the risk of serious injury, read the following safety instructions before assembling and using the product.

Caution! Always keep children under close supervision while they are using or around this product. Never leave children unattended.

- This product is intended for domestic outdoor use only.
- The product should be placed on flat horizontal ground.
- Any assembly or maintenance of the product must be carried out by adults only.
- Arrange necessary manpower when assembling or moving the product.
- Some parts may contain sharp edges. Wear protective gloves if necessary.
- Keep children and pets away while setting up the product.
- Check all nuts and bolts periodically for tightness. When required, tighten them again.
- If the product will not be used for a long period (e.g. winter time), it should be stored in a clean, dry environment.
- Do not light any fires inside or near the product!
- Do not hang any weights on the frame.

IMPORTANT: RETAIN FOR FUTURE REFERENCE, AND READ CAREFULLY.

A Table top - 1		AA M6*35 Combination bolt & washer - 8	
B Leg connector - 1		BB Washer - 8	
C Table leg - 4		CC M6 nut - 8	
		DD Hex key -1	
		EE M6 wrench - 1	

FOR EASY ASSEMBLY, DO NOT COMPLETELY TIGHTEN BOLTS INTO THE FRAME UNTIL ALL BOLTS HAVE BEEN INSERTED FOR THAT PHASE OF ASSEMBLY. ONLY AT THE FINAL STEP OF ASSEMBLY, SECURELY TIGHTEN ALL BOLTS AND HARDWARE.



Caution!

- Do not place the product underneath electrical lines.
- Keep children away during assembly.
- This product contains small parts which can be swallowed by children.
- Keep fingers away from places where they can be pinched or trapped.



Let us help you!

DO NOT RETURN YOUR PRODUCT TO THE STORE. CALL US FIRST!

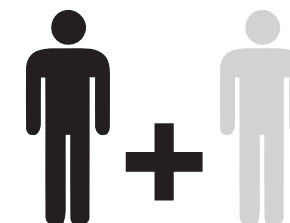
877-483-6759

If you have questions regarding your product, require warranty assistance, or have damaged or missing parts, please call our customer service toll-free helpline. Contact us for assistance; we're here to help.

IMPORTANT: Please read and understand this manual before any assembly. Before beginning assembly of product, make sure all parts are present. Compare parts with packaging contents list. If any part is missing, or if you have any questions, contact the service centre at 877-483-6759 (toll free).

Place all parts from the box in a cleared area and position them on the floor in front of you. Remove all packing materials and place them back into the box. Do not dispose of the packing materials until assembly is complete. Read each step carefully before beginning any assembly and make sure you understand each step. If you are missing a part, please call our toll-free number for assistance at 877-483-6759.

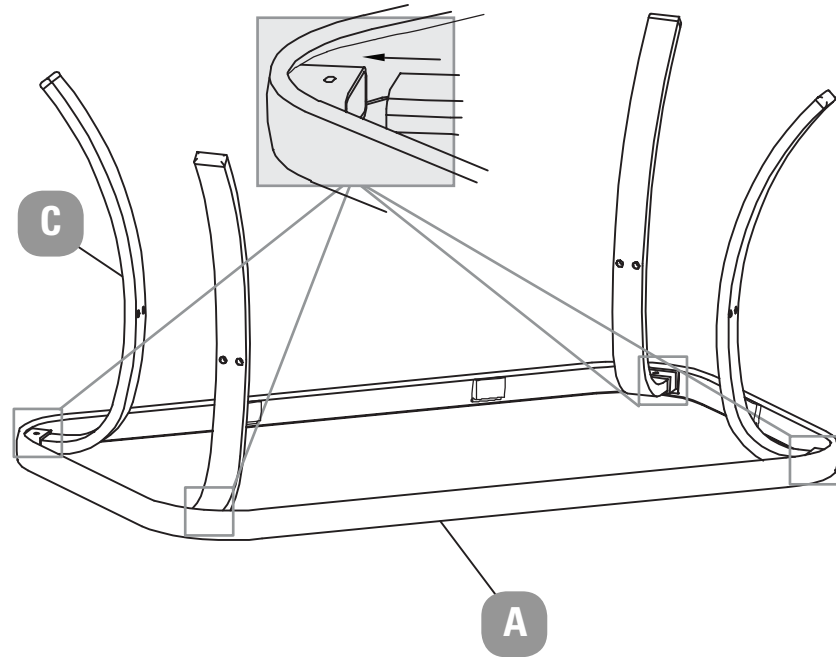
Needed for assembly:



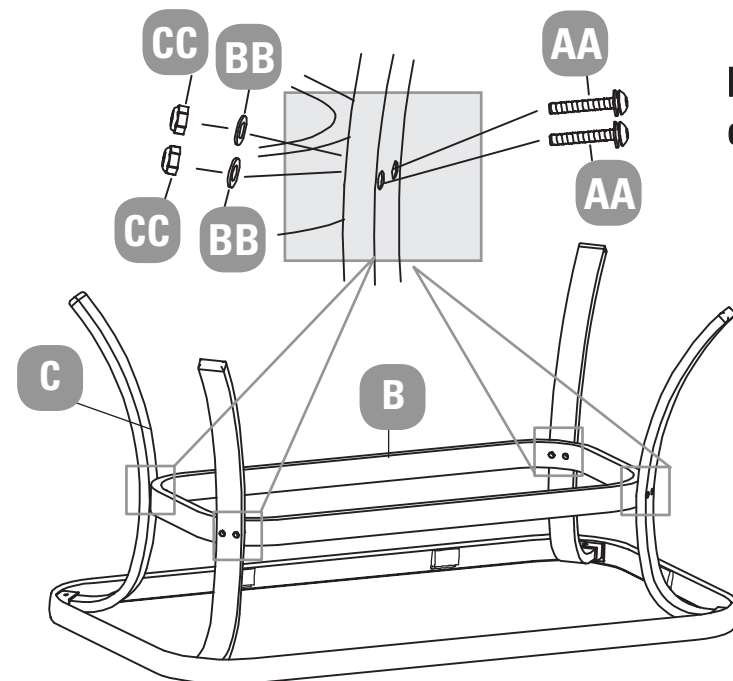
2 people

Step 1Requires **A, C**

Place the table top (A) upside down on a soft surface. Insert the table legs (C) into the corresponding holes on table top (A).

**Step 2**Requires **B, C, AA, BB, CC, DD, EE**

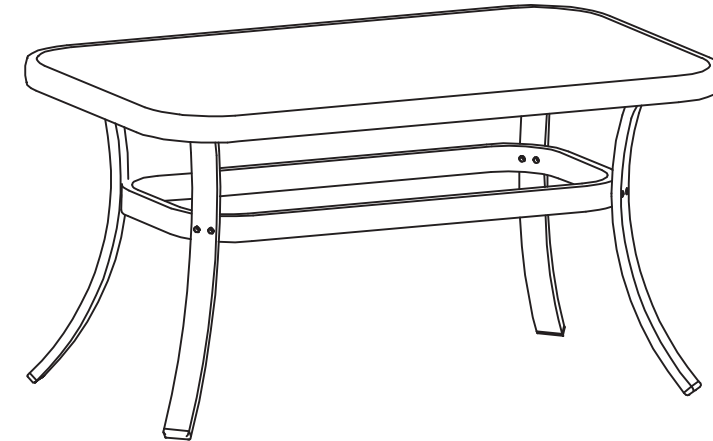
Place the leg connector (B) between four table legs (C). Attach the leg connector (B) to table leg (C) with M6*35mm combination bolt & washer (AA), washer (BB) & M6 nut (CC). Lightly tighten the bolts using the hex key (DD) and M6 wrench (EE).



Note: Do not completely tighten.

Step 3Requires **DD, EE**

Ensure all bolts are securely tightened using the hex key (DD) and M6 wrench (EE). Turn the table the correct way up. Your table is now complete and ready to use.



**Caution!**

- Check all bolts and nuts periodically for tightness, fastening them again as required.
 - Disassemble the product in the reverse order of the assembly steps. Always disassemble the product completely. A partially disassembled product is not stable enough to resist wind and bad weather, and therefore can be damaged and/or cause damage.
 - Clean the product with mild soap and water. Rinse thoroughly, and wait until the product is dry before reassembling it.
- For washing the fabric parts:
 - Spread the fabric and use a soft bristle brush to clean.
 - Always use a natural soap, never detergent.
 - Water should be cold to lukewarm, never more than 25°C (77°F).
 - Air dry only, do not spin in washing machine or hand squeeze.
 - Do not use bleach, acid, or other abrasive cleaners on the canopies or frame parts.
 - Steel components of garden accessories and furniture are treated with rust-inhibiting paint. However, due to the nature of steel, surface oxidation (rusting) will occur if this protective coating is scratched. This is a natural process. To minimize this condition, it is recommended that care be taken when assembling and handling the product, in order to prevent the paint from being scratched. If scratching or damage occurs, it is recommended that the area be touched up immediately with rust-inhibiting paint, which is supplied with the product. Surface rust can be removed easily using a very light application of common cooking oil. If surface oxidation (rusting) occurs and no measures are taken to correct it, the oxidation may start dripping onto the assembly surface, which may cause damaging stains that may be difficult to remove.

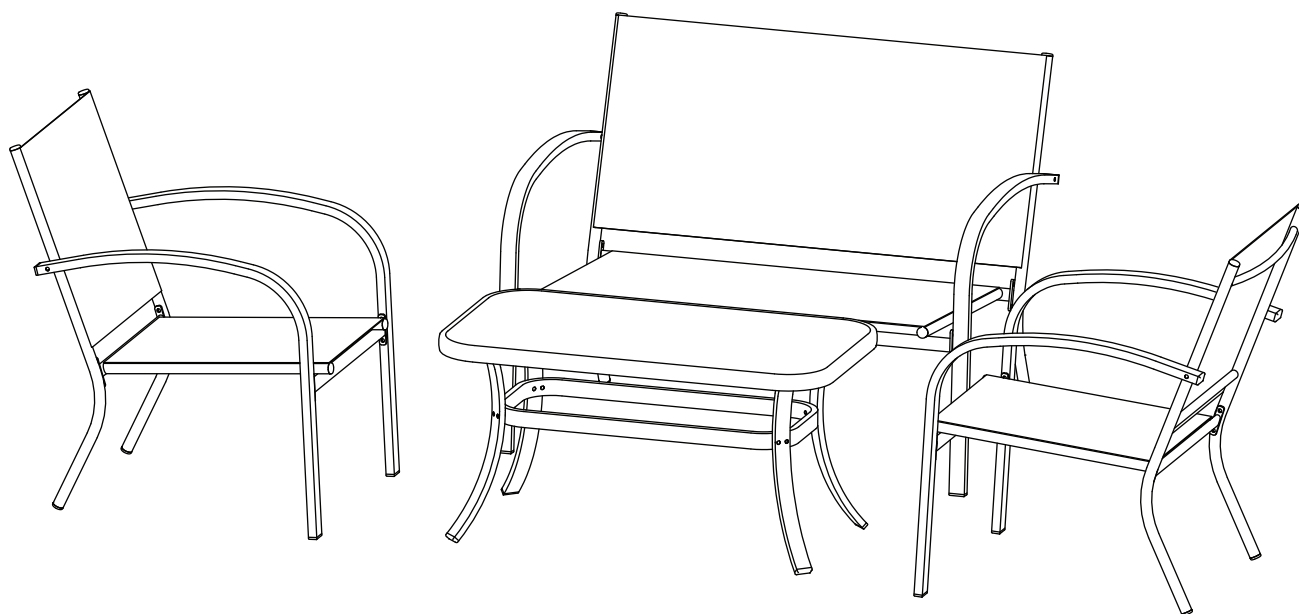
Dimensions (L x W x H)	35 x 19 x 18 in
	89.5 x 49.5 x 45.5cm
Product weight	17.6 lbs
	8 kg
Weight Capacity	55 lbs
	25 kg

This For Living product carries a one (1) year warranty against defects in workmanship and materials. Trileaf Distribution agrees to replace the defective product free of charge within the stated warranty period, when returned by the original purchaser with proof of purchase. This product is not guaranteed against wear or breakage due to misuse and/or abuse.



ENSEMBLE DE CONVERSATION, 4 PIÈCES

N° de modèle : 399-4002-4



Instructions d'assemblage

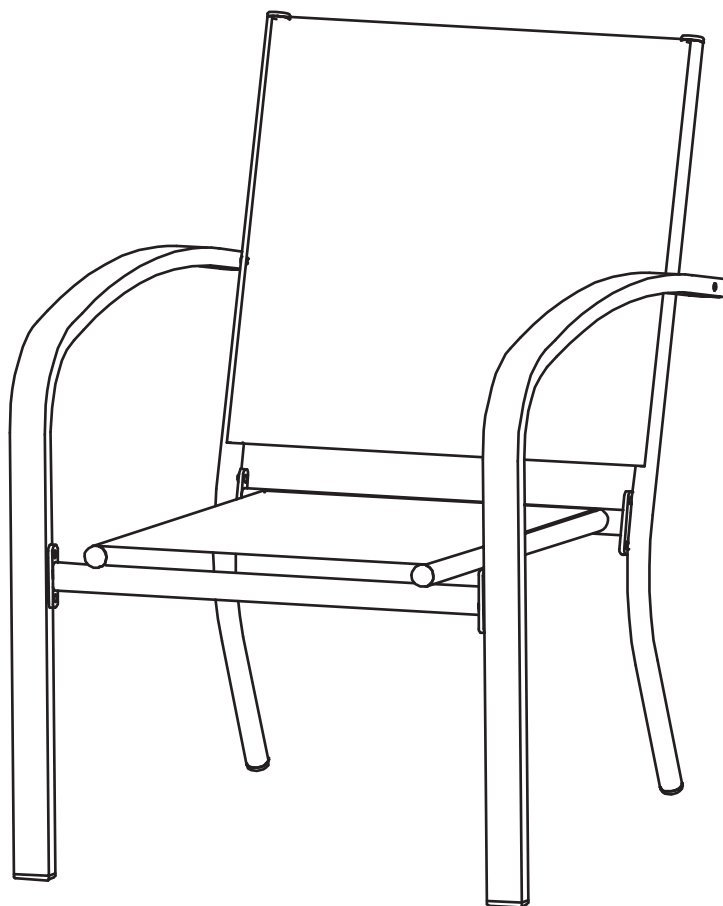
Numéro sans frais : 877 483-6759

IMPORTANT : Veuillez lire attentivement ce guide avant de procéder à l'assemblage de cet article, et conservez-le aux fins de consultation ultérieure.



ENSEMBLE DE CONVERSATION DE 4 PIÈCES - FAUTEUIL

N° de modèle : 399-4002-4



Instructions d'assemblage

Numéro sans frais : 877 483-6759

IMPORTANT : Veuillez lire attentivement ce guide avant de procéder à l'assemblage de cet article, et conservez-le aux fins de consultation ultérieure.

Table des matières	2
Consignes de sécurité importantes	2
Liste des pièces	3
Assemblage	4-7
Nettoyage et entretien	8
Spécifications	8
Garantie	9



Avertissement! Pour réduire tout risque de blessures graves, veuillez lire les consignes de sécurité suivantes avant l'assemblage et l'utilisation de l'article.

Attention! Surveillez toujours de près les enfants pendant qu'ils utilisent l'article ou se trouvent à proximité. Ne laissez jamais les enfants sans surveillance.

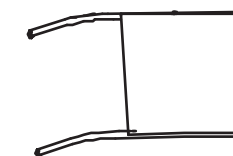
- Cet article est conçu pour une utilisation résidentielle à l'extérieur uniquement.
- Cet article doit être placé sur une surface plane et horizontale.
- Tout assemblage ou entretien de l'article doit être effectué par des adultes uniquement.
- Faites appel au nombre de personnes nécessaire pour assembler ou déplacer l'article.
- Certaines pièces peuvent présenter des bords tranchants. Portez des gants de protection au besoin.
- Vérifiez tous les écrous et boulons régulièrement pour vous assurer qu'ils sont bien serrés. Serrez-les à nouveau au besoin.
- Les enfants et les animaux doivent être tenus à l'écart pendant l'assemblage de cet article.
- Si l'article produit n'est pas utilisé pendant une longue période (pendant l'hiver, par exemple), il doit être rangé dans un endroit propre et sec.
- N'allumez pas de feu en-dessous ou à proximité de l'article!
- Ne suspendez aucun poids à l'armature.

Lorsqu'il s'agit d'articles pour la maison, il est essentiel qu'ils puissent faire face aux réalités de la vie quotidienne. Conçus en fonction de la famille, les articles For Living^{MC} allient un aspect traditionnel à des caractéristiques de conception soucieuses des besoins de la famille. Vous pouvez maintenant vous concentrer sur ce qui est important, soit de créer des souvenirs mémorables pour votre famille.

IMPORTANT : LISEZ ATTENTIVEMENT CE GUIDE ET CONSERVEZ-LE AUX FINS DE CONSULTATION ULTÉRIEURE.

A

Armature de dossier - 1



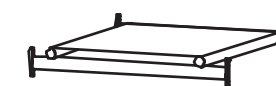
AA

Boulon mixte M6x15 avec rondelle - 8



B

Armature de siège - 1



BB

Boulon mixte M6x55 avec rondelle - 2



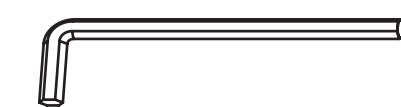
C

Accoudoir gauche - 1



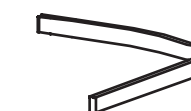
CC

Clé hexagonale - 1



D

Accoudoir droit - 1



POUR FACILITER L'ASSEMBLAGE, NE SERREZ PAS COMPLÈTEMENT LES BOULONS DANS L'ARMATURE AVANT QU'ILS NE SOIENT TOUS INSÉRÉS POUR CETTE PHASE DE L'ASSEMBLAGE. ATTENDEZ LA DERNIÈRE ÉTAPE DE L'ASSEMBLAGE POUR BIEN SERRER TOUS LES BOULONS ET LA QUINCAILLERIE.

**Attention!**

- Ne placez pas l'article sous des câbles électriques.
- Gardez les enfants éloignés pendant l'assemblage.
- Cet article contient des petites pièces que les enfants peuvent avaler.
- Éloignez les doigts des endroits où ils peuvent être pincés ou coincés.

**Laissez-nous vous aider!**

**VEUILLEZ NE PAS RETOURNER L'ARTICLE AU MAGASIN.
APPELEZ-NOUS D'ABORD!**

877 483-6759

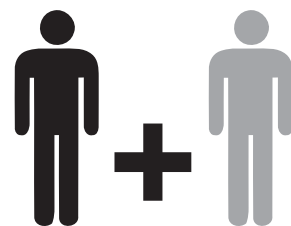
Si vous avez des questions concernant cet article, avez besoin d'une assistance relative à la garantie ou avez des pièces endommagées ou manquantes, veuillez communiquer avec notre service à la clientèle à la ligne d'assistance gratuite. Veuillez nous contacter pour toute assistance, nous sommes ici pour vous aider.

IMPORTANT : Veuillez lire et comprendre ce guide avant tout assemblage. Avant de procéder à l'assemblage de l'article, assurez-vous qu'il ne manque aucune pièce. Comparez les pièces à la liste du contenu de l'emballage. Pour toute pièce manquante ou pour toute question, veuillez communiquer avec le centre d'assistance au 877 483-6759 (sans frais).

Placez toutes les pièces du carton dans un endroit dégagé et positionnez-les sur le sol devant vous. Retirez tous les matériaux d'emballage et replacez-les dans le carton. Ne vous débarrassez pas des matériaux d'emballage avant d'avoir terminé l'assemblage. Lisez chaque étape avec soin avant de commencer l'assemblage et assurez-vous de toutes les comprendre.

Si une pièce est manquante, veuillez téléphoner à notre numéro sans frais : 877 483-6759

Ce qui est requis pour l'assemblage :

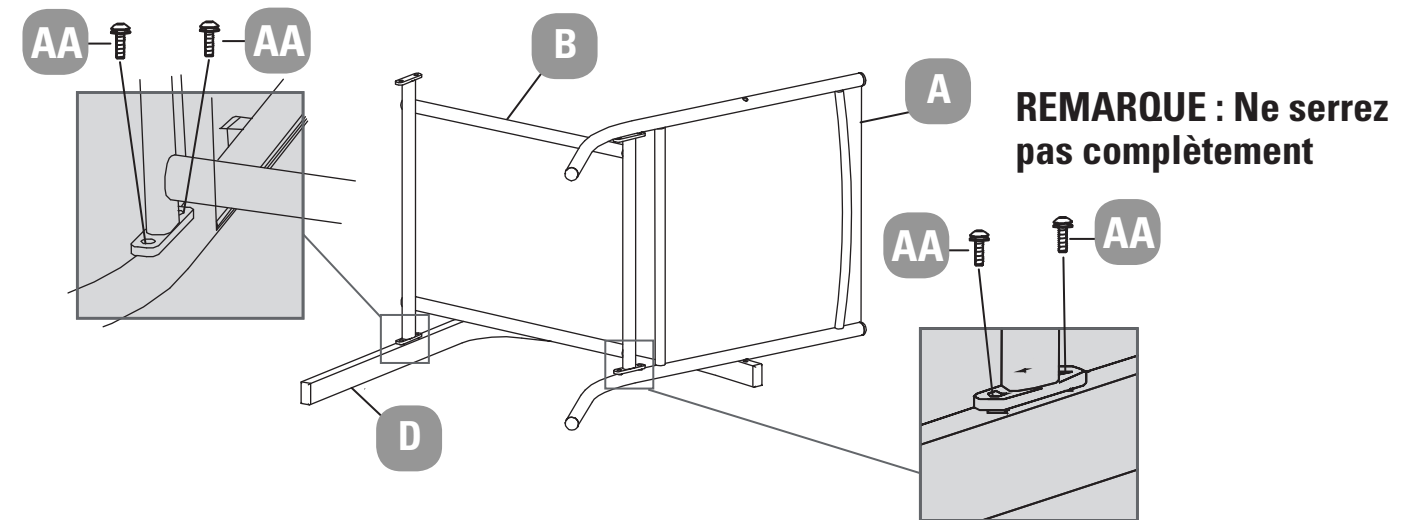


2 personnes

Étape 1

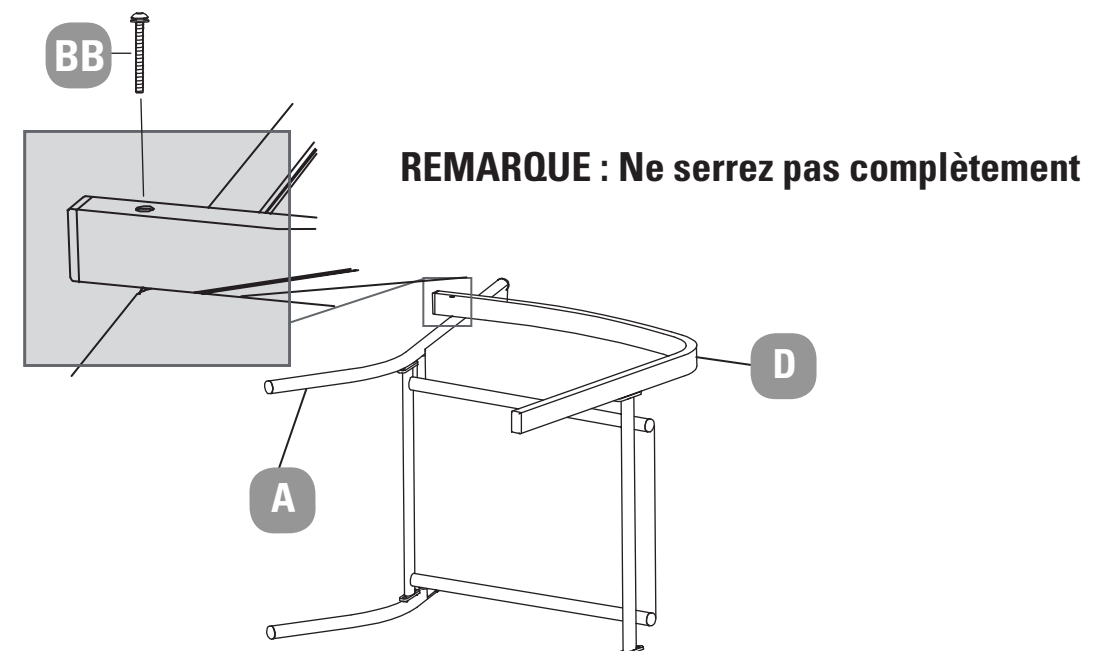
Requiert **A, B, D, AA, CC**

Fixez l'armature de siège (B) à l'accoudoir droit (D) et à l'armature de dossier (A). Alignez les trous de boulon de l'armature de siège (B) avec les trous de boulon correspondants de l'accoudoir droit (D) et de l'armature de dossier (A). Insérez les boulons mixtes M6x15 avec rondelles (AA) et serrez légèrement les boulons à l'aide de la clé hexagonale (CC). Ne serrez pas complètement avant que l'assemblage soit terminé.

**Étape 2**

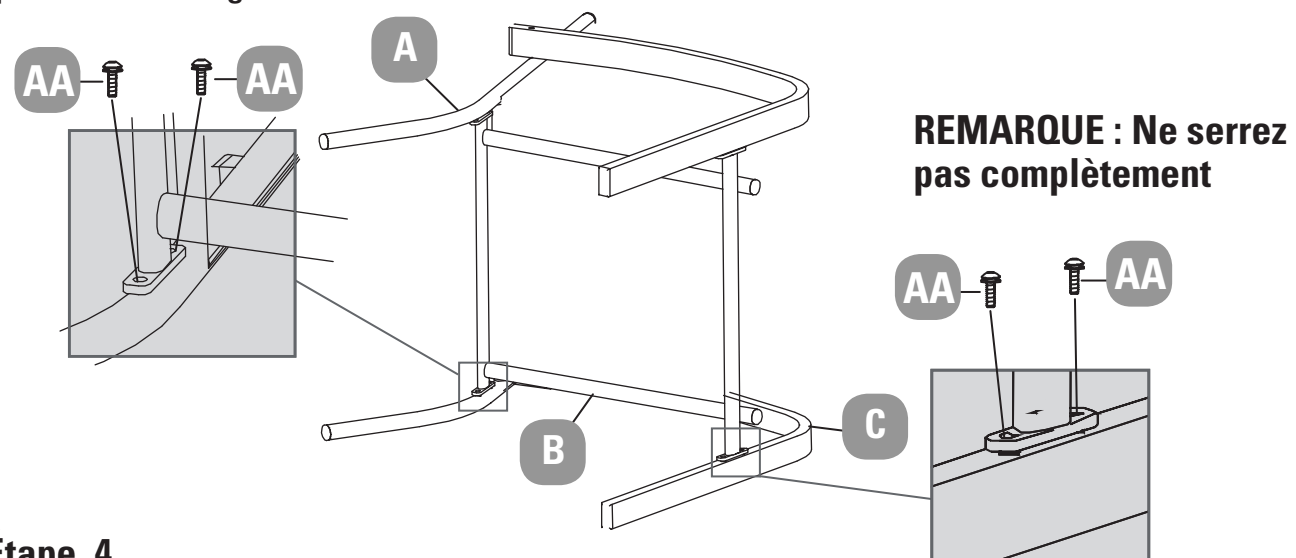
Requiert **A, D, BB, CC**

Fixez l'accoudoir droit (D) à l'armature de dossier (A) en alignant les trous de boulon de l'accoudoir droit (D) avec les trous de boulon correspondants de l'armature de dossier (A). Insérez le boulon mixte M6x55 avec rondelle (BB) et serrez légèrement à l'aide de la clé hexagonale (CC). Ne serrez pas complètement avant que l'assemblage soit terminé.

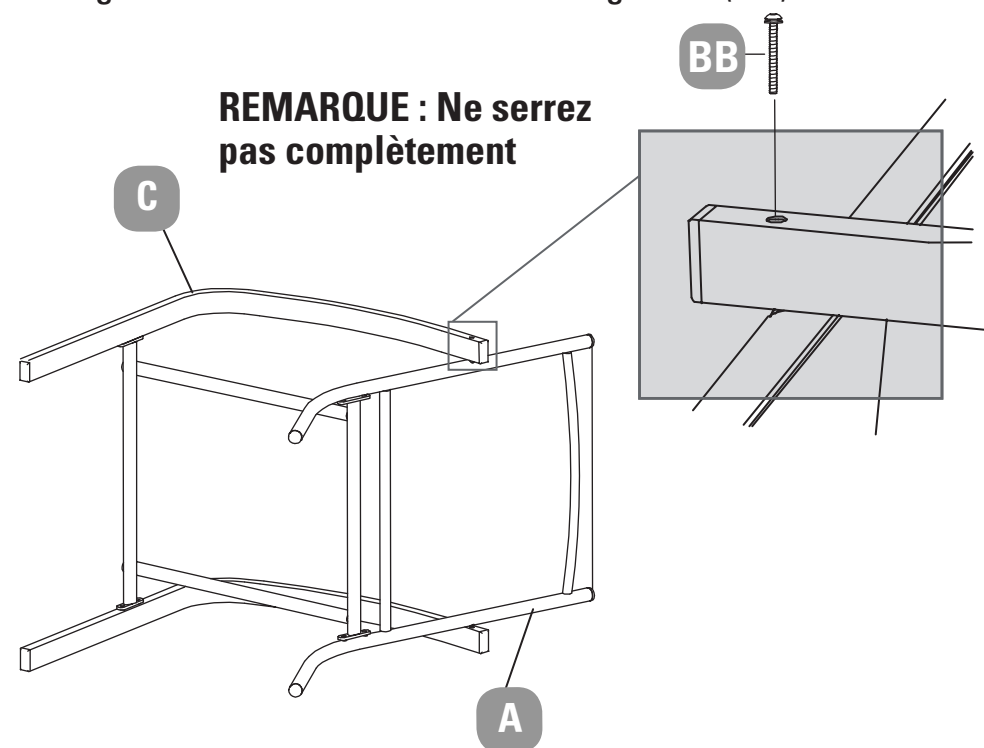


Étape 3Requiert **A, B, C, AA, CC**

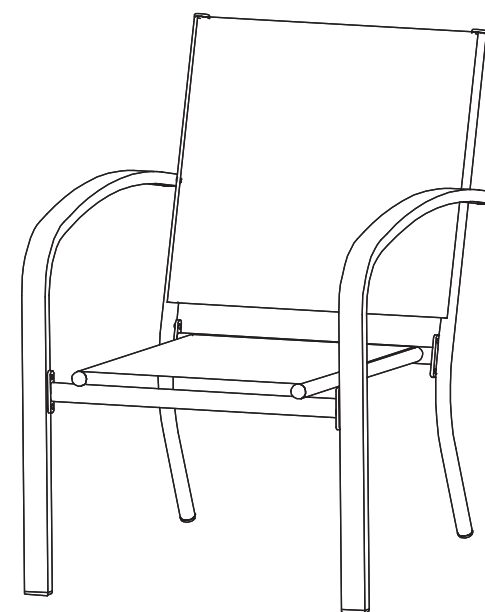
Fixez l'armature de siège (B) à l'accoudoir gauche (C) et à l'armature de dossier (A). Alignez les trous de boulon de l'armature de siège (B) avec les trous de boulon correspondants de l'accoudoir gauche (C) et de l'armature de dossier (A). Insérez les boulons mixtes M6x15 avec rondelles (AA) et serrez légèrement les boulons à l'aide de la clé hexagonale (CC). Ne serrez pas complètement avant que l'assemblage soit terminé.

**Étape 4**Requiert **A, C, BB, CC**

Fixez l'accoudoir gauche (C) à l'armature de dossier (A) en alignant les trous de boulon de l'accoudoir gauche (C) avec les trous de boulon correspondants de l'armature de dossier (A). Insérez le boulon mixte M6x55 avec rondelle (BB) et serrez légèrement à l'aide de la clé hexagonale (CC).

**Étape 5**Requiert **CC**

Assurez-vous que tous les boulons sont complètement serrés à l'aide de la clé hexagonale (CC). Remettez le fauteuil correctement à l'endroit. Votre fauteuil est désormais assemblé et prêt à être utilisé.



**Attention!**

- Vérifiez tous les vis et écrous régulièrement pour voir s'ils sont serrés, et resserrez-les au besoin.
- Démontez l'article dans l'ordre inverse des étapes de l'assemblage.
- Démontez toujours complètement l'article. Un article partiellement démonté n'est pas suffisamment stable pour résister au vent et aux intempéries et peut donc être endommagé ou entraîner des dommages.
- Nettoyez l'article à l'eau et au savon doux. Rincez soigneusement et attendez que l'article soit sec avant de l'assembler à nouveau.

- Essuyer avec un chiffon humide. Utilisez un détergent doux et de l'eau, puis rincez le fauteuil à l'eau claire. Absorbent l'excédent d'humidité avec une serviette sèche.

- L'eau doit toujours être froide ou tiède, jamais plus chaude que 25 °C (77 °F).

- Faites sécher à l'air uniquement.

- N'utilisez pas de javellisant, d'acide ou tout autre nettoyant abrasif sur les pièces de l'armature.
- Les composants en acier des accessoires et du mobilier de jardin sont traités avec une peinture antirouille. Toutefois, en raison de la nature de l'acier, l'oxydation de la surface (rouille) se produira si ce revêtement protecteur est éraflé. Il s'agit d'un processus naturel. Afin de le minimiser, il est recommandé de faire preuve de précaution au cours de l'assemblage et de la manutention de l'article, pour éviter d'en érafler la peinture. La rouille de la surface peut être facilement enlevée en appliquant une faible quantité d'huile de cuisson ordinaire. Si la surface s'est oxydée (a rouillé) et qu'aucune mesure n'est prise pour éliminer cette oxydation, elle pourrait commencer à couler sur la surface d'assemblage, ce qui pourrait causer des taches difficiles à enlever.

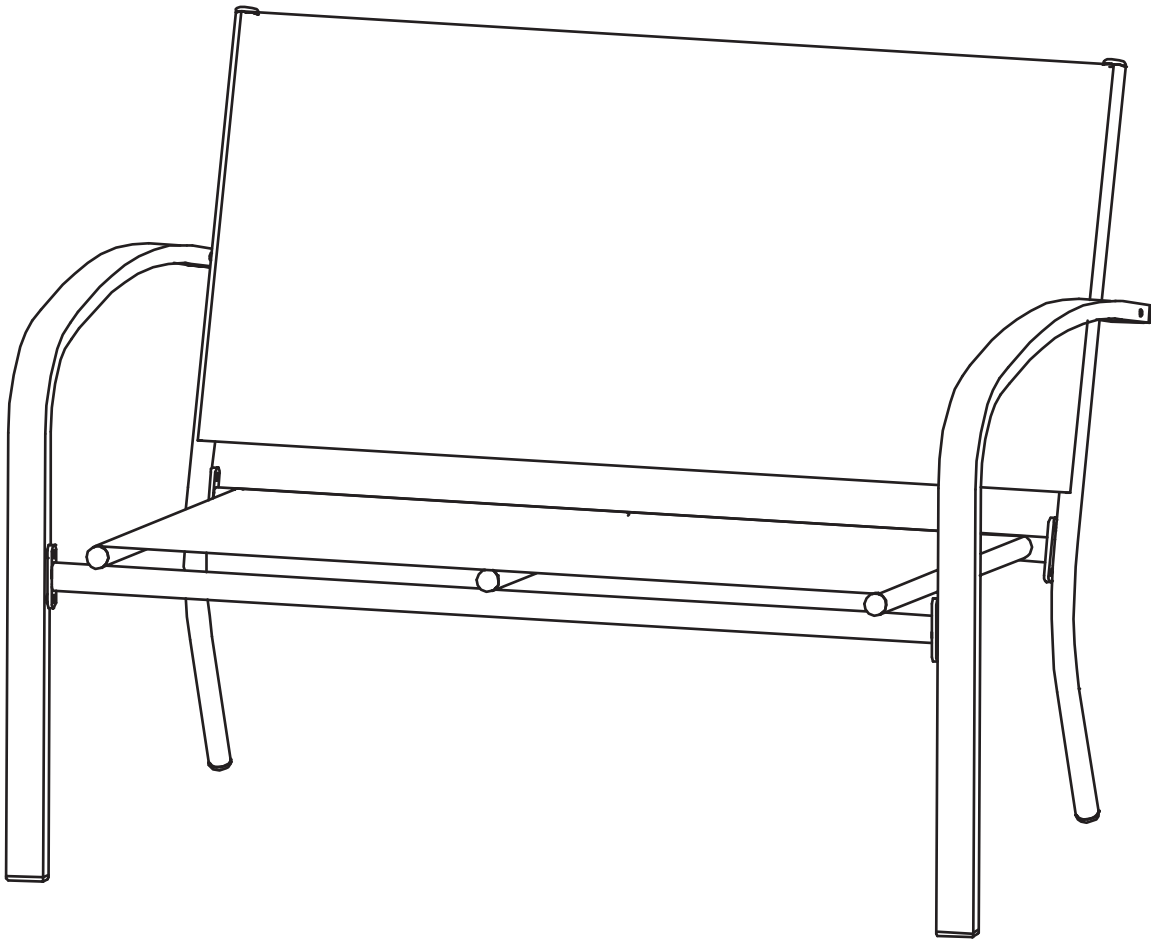
Dimensions (L x la x H)	23 x 28 1/2 x 31 7/8 po
	58,5 x 72,5 x 81 cm
Poids de l'article	9 lb 14 1/2 oz
	4,5 kg
Capacité	225 lb
	102 kg

Cet article For Living est couvert par une garantie d'un (1) an contre les défauts de fabrication et de matériaux. Trileaf Distribution Trifeuil accepte de remplacer gratuitement un article défectueux pendant la période précisée de garantie lorsqu'il est retourné par l'acheteur original accompagné d'une preuve d'achat. Cet article n'est pas garanti contre l'usure ou les bris causés par un mauvais usage ou un usage abusif.



ENSEMBLE DE CONVERSATION, 4 PCES - CAUSEUSE

N° de modèle : 399-4002-4



Instructions d'assemblage

Numéro sans frais : 877 483-6759

IMPORTANT : Veuillez lire attentivement ce guide avant de procéder à l'assemblage de l'article, et conservez-le aux fins de consultation ultérieure.

Table des matières	2
Consignes de sécurité importantes	2
Liste des pièces	3
Assemblage	4-7
Nettoyage et entretien	8
Spécifications	8
Garantie	9



Avertissement! Pour réduire tout risque de blessures graves, veuillez lire les consignes de sécurité suivantes avant l'assemblage et l'utilisation de l'article.

Attention! Surveillez toujours de près les enfants pendant qu'ils utilisent l'article ou se trouvent à proximité. Ne laissez jamais les enfants sans surveillance.

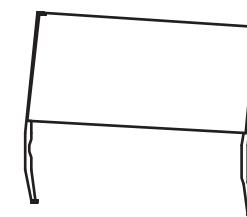
- Cet article est conçu pour une utilisation résidentielle à l'extérieur uniquement.
- Cet article doit être placé sur une surface plane et horizontale.
- Tout assemblage ou entretien de l'article doit être effectué par des adultes uniquement.
- Faites appel au nombre de personnes nécessaire pour assembler ou déplacer l'article.
- Certaines pièces peuvent présenter des bords tranchants. Portez des gants de protection au besoin.
- Vérifiez tous les écrous et boulons régulièrement pour vous assurer qu'ils sont bien serrés. Serrez-les à nouveau au besoin.
- Les enfants et les animaux doivent être tenus à l'écart pendant l'assemblage de cet article.
- Si l'article n'est pas utilisé pendant une longue période (pendant l'hiver, par exemple), il doit être rangé dans un endroit propre et sec.
- N'allumez pas de feu en-dessous ou à proximité de l'article!
- Ne suspendez aucun poids à l'armature.

Lorsqu'il s'agit d'articles pour la maison, il est essentiel qu'ils puissent faire face aux réalités de la vie quotidienne. Conçus en fonction de la famille, les articles For Living^{MC} allient un aspect traditionnel à des caractéristiques de conception soucieuses des besoins de la famille. Vous pouvez maintenant vous concentrer sur ce qui est important, soit de créer des souvenirs mémorables pour votre famille.

IMPORTANT : LISEZ ATTENTIVEMENT CE GUIDE ET CONSERVEZ-LE AUX FINS DE CONSULTATION ULTÉRIEURE.

A

Armature de dossier - 1



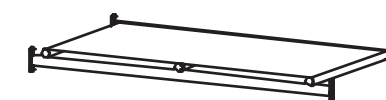
AA

Boulon mixte M6x15 avec rondelle - 8



B

Armature de siège - 1



BB

Boulon mixte M6x55 avec rondelle - 2



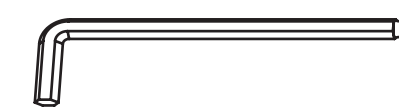
C

Accoudoir gauche - 1



CC

Clé hexagonale - 1



D

Accoudoir droit - 1



POUR FACILITER L'ASSEMBLAGE, NE SERREZ PAS COMPLÈTEMENT LES BOULONS DANS L'ARMATURE AVANT QU'ILS NE SOIENT TOUS INSÉRÉS POUR CETTE PHASE DE L'ASSEMBLAGE. ATTENDEZ LA DERNIÈRE ÉTAPE DE L'ASSEMBLAGE POUR BIEN SERRER TOUS LES BOULONS ET LA QUINCAILLERIE.

**Attention!**

- Ne placez pas l'article sous des câbles électriques.
- Gardez les enfants éloignés pendant l'assemblage.
- Cet article contient des petites pièces que les enfants peuvent avaler.
- Éloignez les doigts des endroits où ils peuvent être pincés ou coincés.

**Laissez-nous vous aider!**

**VEUILLEZ NE PAS RETOURNER L'ARTICLE AU MAGASIN.
APPELEZ-NOUS D'ABORD!**

877 483-6759

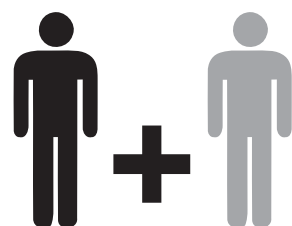
Si vous avez des questions concernant cet article, avez besoin d'une assistance relative à la garantie ou avez des pièces endommagées ou manquantes, veuillez communiquer avec notre service à la clientèle à la ligne d'assistance gratuite. Veuillez nous contacter pour toute assistance, nous sommes ici pour vous aider.

IMPORTANT : Veuillez lire et comprendre ce guide avant tout assemblage. Avant de procéder à l'assemblage de l'article, assurez-vous qu'il ne manque aucune pièce. Comparez les pièces à la liste du contenu de l'emballage. Pour toute pièce manquante ou pour toute question, veuillez communiquer avec le centre d'assistance au 877 483-6759 (sans frais).

Placez toutes les pièces du carton dans un endroit dégagé et positionnez-les sur le sol devant vous. Retirez tous les matériaux d'emballage et replacez-les dans le carton. Ne vous débarrassez pas des matériaux d'emballage avant d'avoir terminé l'assemblage. Lisez chaque étape avec soin avant de commencer l'assemblage et assurez-vous de toutes les comprendre.

Si une pièce est manquante, veuillez téléphoner à notre numéro sans frais : 877 483-6759

Ce qui est requis pour l'assemblage :

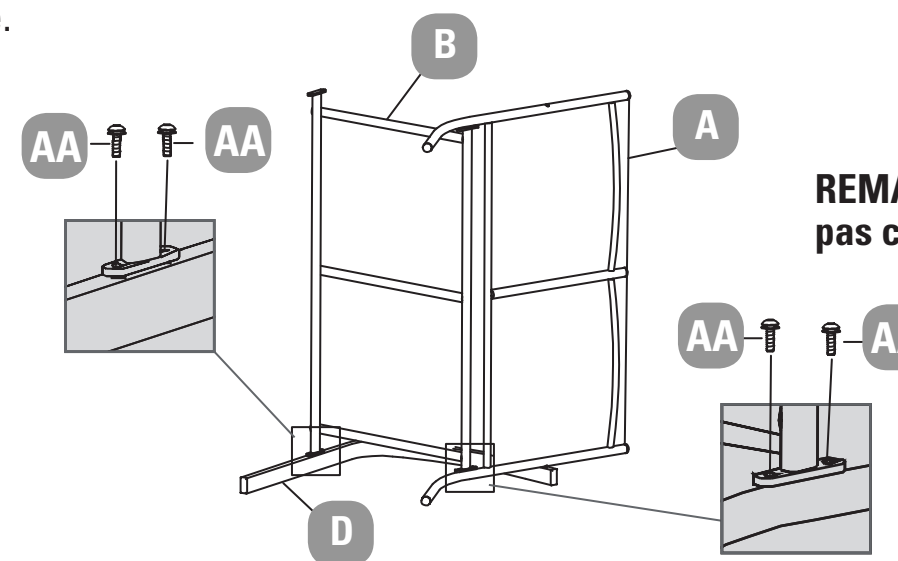


2 personnes

Étape 1

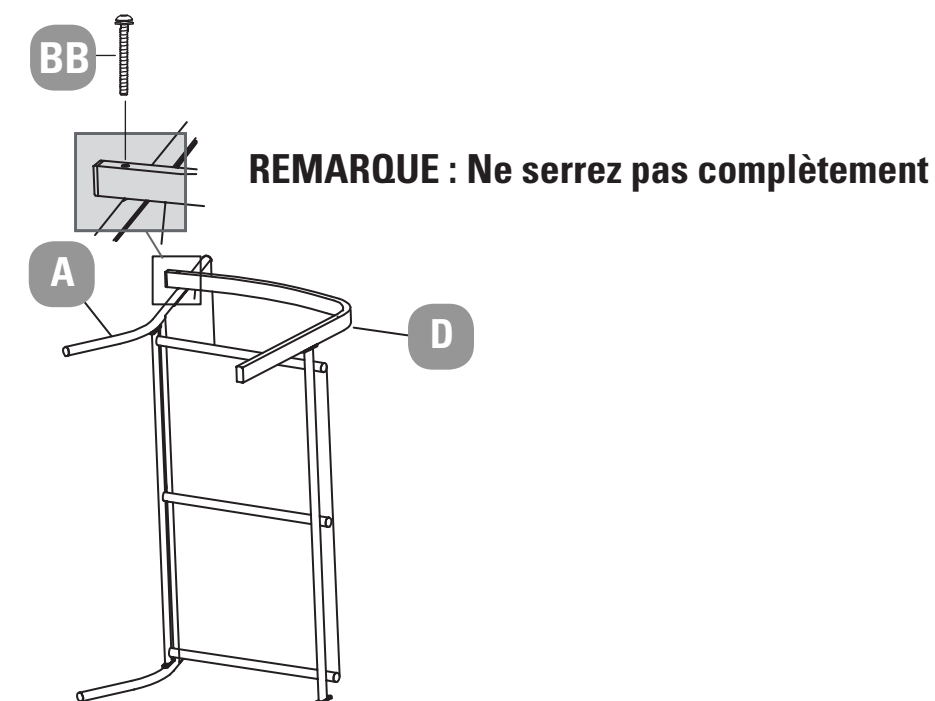
Requiert : **A, B, D, AA, CC**

Fixez l'armature de siège (B) à l'accoudoir droit (D) et à l'armature de dossier (A). Alignez les trous de boulon de l'armature de siège (B) avec les trous de boulon correspondants de l'accoudoir droit (D) et de l'armature de dossier (A). Insérez les boulons mixtes M6x15 avec rondelles (AA) et serrez légèrement les boulons à l'aide de la clé hexagonale (CC). Ne serrez pas complètement avant que l'assemblage soit terminé.

**Étape 2**

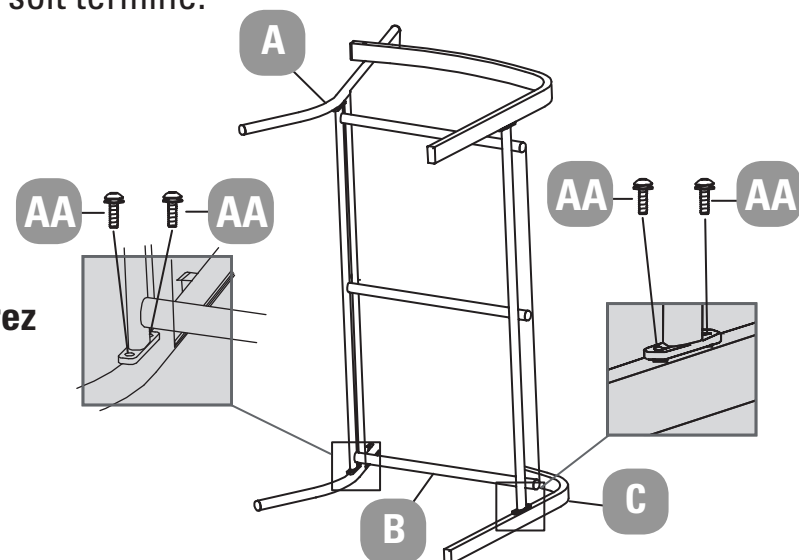
Requiert : **A, D, BB, CC**

Fixez l'accoudoir droit (D) à l'armature de dossier (A) en alignant les trous de boulon de l'accoudoir droit (D) avec les trous de boulon correspondants de l'armature de dossier (A). Insérez le boulon mixte M6x55 avec rondelle (BB) et serrez légèrement à l'aide de la clé hexagonale (CC). Ne serrez pas complètement avant que l'assemblage soit terminé.



Étape 3Requiert : **A, B, C, AA, CC**

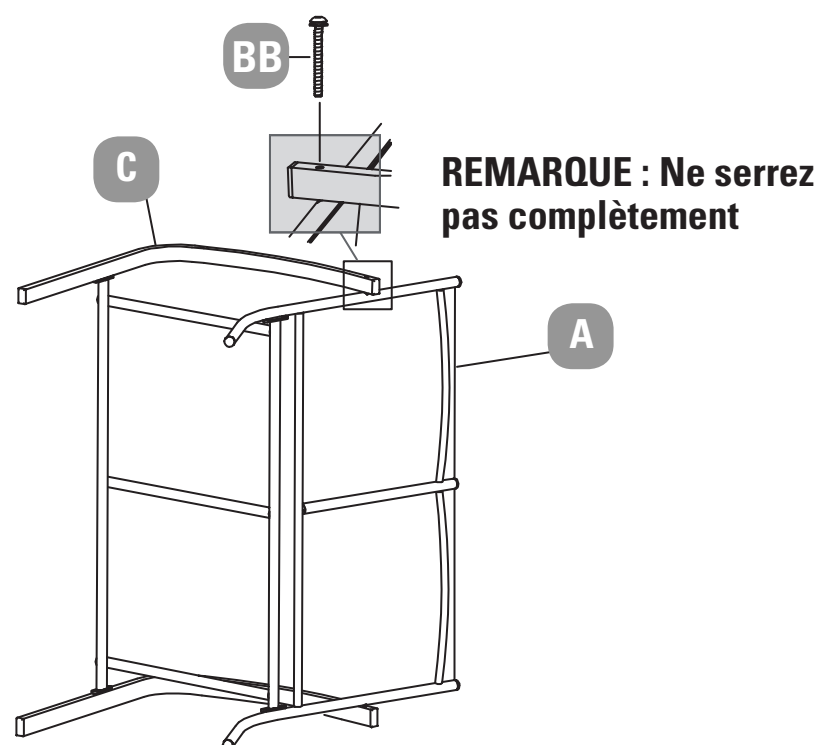
Fixez l'armature de siège (B) à l'accoudoir gauche (C) et à l'armature de dossier (A). Alignez les trous de boulon de l'armature de siège (B) avec les trous de boulon correspondants de l'accoudoir gauche (C) et de l'armature de dossier (A). Insérez les boulons mixtes M6x15 avec rondelles (AA) et serrez légèrement les boulons à l'aide de la clé hexagonale (CC). Ne serrez pas complètement avant que l'assemblage soit terminé.



REMARQUE : Ne serrez pas complètement

Étape 4Requiert : **A, B, BB, CC**

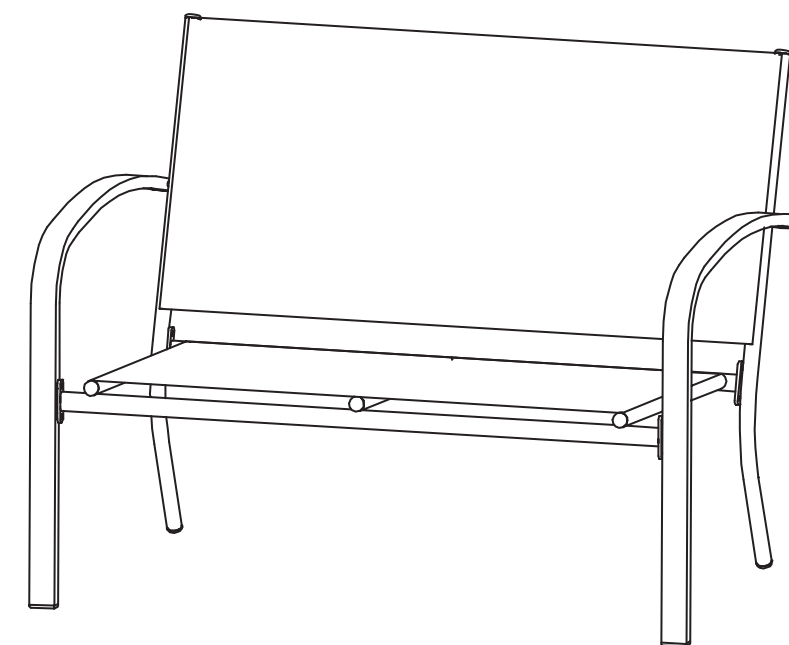
Fixez l'accoudoir gauche (C) à l'armature de dossier (A) en alignant les trous de boulon de l'accoudoir gauche (C) avec les trous de boulon correspondants de l'armature de dossier (A). Insérez le boulon mixte M6x55 avec rondelle (BB) et serrez légèrement à l'aide de la clé hexagonale (CC).



REMARQUE : Ne serrez pas complètement

Étape 5Requiert : **CC**

Assurez-vous que tous les boulons sont complètement serrés à l'aide de la clé hexagonale (CC). Remettez la causeuse correctement à l'endroit. Votre causeuse est désormais assemblée et prête à être utilisée.



**Attention!**

- Vérifiez tous les vis et écrous régulièrement pour voir s'ils sont serrés, et resserrez-les au besoin.
- Démontez l'article dans l'ordre inverse des étapes de l'assemblage.
- Démontez toujours complètement l'article. Un article partiellement démonté n'est pas suffisamment stable pour résister au vent et aux intempéries et peut donc être endommagé ou entraîner des dommages.
- Nettoyez l'article à l'eau et au savon doux. Rincez soigneusement et attendez que l'article soit sec avant de l'assembler à nouveau.

- Essuyer avec un chiffon humide. Utilisez un détergent doux et de l'eau, puis rincez le fauteuil à l'eau claire. Absorbent l'excédent d'humidité avec une serviette sèche.

- L'eau doit toujours être froide ou tiède, jamais plus chaude que 25 °C (77 °F).

- Faites sécher à l'air uniquement.

- N'utilisez pas de javellisant, d'acide ou tout autre nettoyant abrasif sur les pièces de l'armature.
- Les composants en acier des accessoires et du mobilier de jardin sont traités avec une peinture antirouille. Toutefois, en raison de la nature de l'acier, l'oxydation de la surface (rouille) se produira si ce revêtement protecteur est éraflé. Il s'agit d'un processus naturel. Afin de le minimiser, il est recommandé de faire preuve de précaution au cours de l'assemblage et de la manutention de l'article, pour éviter d'en érafler la peinture. La rouille de la surface peut être facilement enlevée en appliquant une faible quantité d'huile de cuisson ordinaire. Si la surface s'est oxydée (a rouillé) et qu'aucune mesure n'est prise pour éliminer cette oxydation, elle pourrait commencer à couler sur la surface d'assemblage, ce qui pourrait causer des taches difficiles à enlever.

Dimensions (L x la x H) 42 1/2 x 28 1/2 x 31 7/8 po

108 x 72,5 x 81 cm

Poids de l'article 15 lb 7 oz

7 kg

Capacité 225 lb par siège

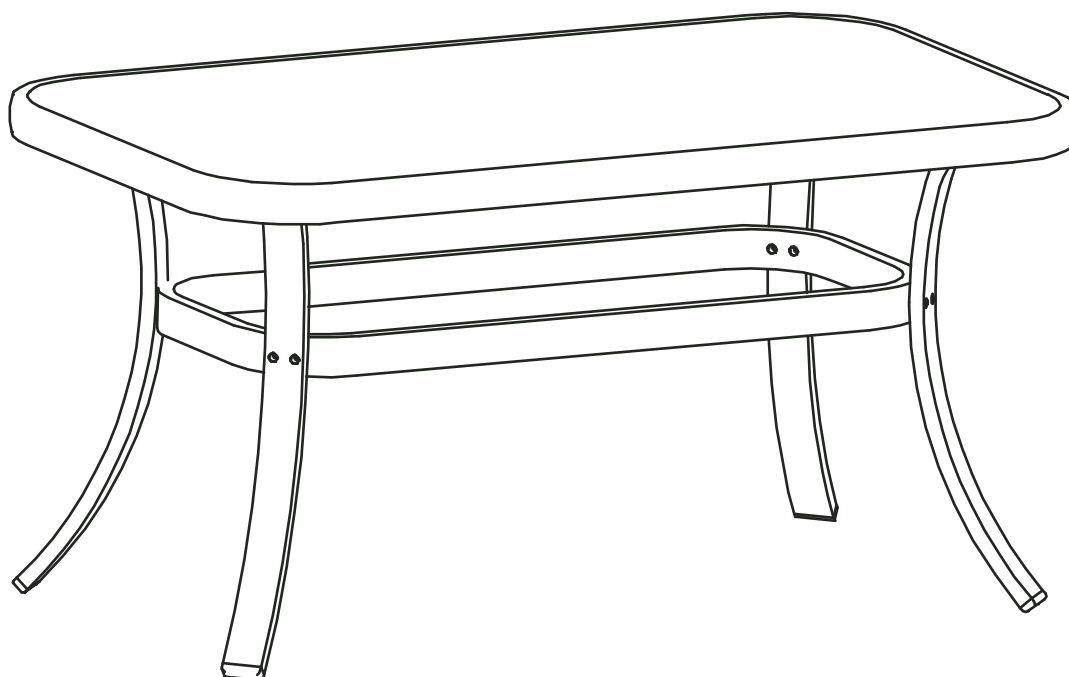
102 kg par siège

Cet article For Living est couvert par une garantie d'un (1) an contre les défauts de fabrication et de matériaux. Trileaf Distribution Trifeuil accepte de remplacer gratuitement un article défectueux pendant la période précisée de garantie lorsqu'il est retourné par l'acheteur original accompagné d'une preuve d'achat. Cet article n'est pas garanti contre l'usure ou les bris causés par un mauvais usage ou un usage abusif.



MOBILIER DE DÉTENTE EN TOILE DE 4 PIÈCES- TABLE

N° De Modèle : 399-4002-4



Instructions D'asseblage

Numéro sans frais: 877 483-6759

IMPORTANT : Veuillez lire attentivement ce guide avant de procéder à l'assemblage de ce produit, et conservez-le aux fins de consultation ultérieure.

Table des matières	3
Consignes de sécurité importantes	3
Liste des pièces	4
Assemblage	6
Nettoyage et entretien	8
Spécifications	8
Garantie	9



Avertissement! Pour réduire tout risque de blessures graves, veuillez lire les consignes de sécurité suivantes avant l'assemblage et l'utilisation du produit.

Attention! Surveillez toujours de près les enfants pendant qu'ils utilisent l'article ou se trouvent à proximité. Ne laissez jamais les enfants sans surveillance.

- Cet produit est conçu pour une utilisation résidentielle à l'extérieur uniquement.
- Cet produit doit être placé sur une surface plane et horizontale.
- Tout assemblage ou entretien de l'article doit être effectué par des adultes uniquement.
- Faites appel au nombre de personnes nécessaire pour assembler ou déplacer l'article.
- Certaines pièces peuvent présenter des bords tranchants. Portez des gants de protection au besoin.
- Vérifiez tous les écrous et boulons régulièrement pour vous assurer qu'ils sont bien serrés. Serrez-les à nouveau au besoin.
- Les enfants et les animaux doivent être tenus à l'écart pendant l'assemblage de cet article.
- Si l'article produit n'est pas utilisé pendant une longue période (pendant l'hiver, par exemple), il doit être rangé dans un endroit propre et sec.
- N'allumez pas de feu à l'intérieur ou à proximité de l'article!
- Ne suspendez aucun poids à l'armature.

IMPORTANT : LISEZ ATTENTIVEMENT CE GUIDE ET CONSERVEZ-LE AUX FINS DE CONSULTATION ULTÉRIEURE.

A

Plateau de table - 1



AA

Vis M6*35 mm avec rondelle - 8



B

Connecteur de pieds - 1



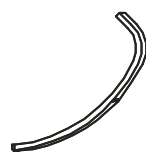
BB

Rondelle - 8



C

Pied de table - 4



CC

Écrou M6 - 8



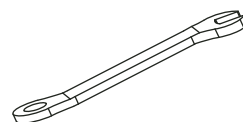
DD

Clé hexagonale - 1



EE

Clé M6 - 1



POUR FACILITER L'ASSEMBLAGE, NE SERREZ PAS COMPLÈTEMENT LES BOULONS DANS L'ARMATURE AVANT QU'ILS NE SOIENT TOUS INSÉRÉS POUR CETTE PHASE DE L'ASSEMBLAGE. ATTENDEZ LA DERNIÈRE ÉTAPE DE L'ASSEMBLAGE POUR BIEN SERRER TOUS LES BOULONS ET LA QUINCAILLERIE.

**Attention!**

- Ne placez pas l'article sous des câbles électriques.
- Gardez les enfants éloignés pendant l'assemblage.
- Cet produit contient des petites pièces que les enfants peuvent avaler.
- Éloignez les doigts des endroits où ils peuvent être pincés ou coincés.

**Laissez-nous vous aider!**

VEUILLEZ NE PAS RETOURNER L'ARTICLE AU MAGASIN.

APPELEZ-NOUS D'ABORD!

877 483-6759

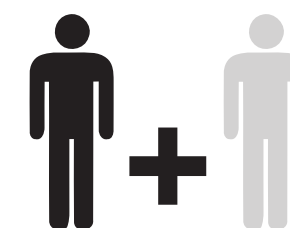
Si vous avez des questions concernant cet article, avez besoin d'une assistance relative à la garantie ou avez des pièces endommagées ou manquantes, veuillez communiquer avec notre service à la clientèle à la ligne d'assistance gratuite. Veuillez nous contacter pour toute assistance, nous sommes ici pour vous aider.

IMPORTANT : Veuillez lire et comprendre ce guide avant tout assemblage. Avant de procéder à l'assemblage de l'article, assurez-vous qu'il ne manque aucune pièce. Comparez les pièces à la liste du contenu de l'emballage. Pour toute pièce manquante ou pour toute question, veuillez communiquer avec le centre d'assistance au 877 483-6759 (sans frais).

Placez toutes les pièces du carton dans un endroit dégagé et positionnez-les sur le sol devant vous. Retirez tous les matériaux d'emballage et replacez-les dans le carton. Ne vous débarrassez pas des matériaux d'emballage avant d'avoir terminé l'assemblage. Lisez chaque étape avec soin avant de commencer l'assemblage et assurez-vous de toutes les comprendre.

Si une pièce est manquante, veuillez téléphoner à notre numéro sans frais : 877 483-6759

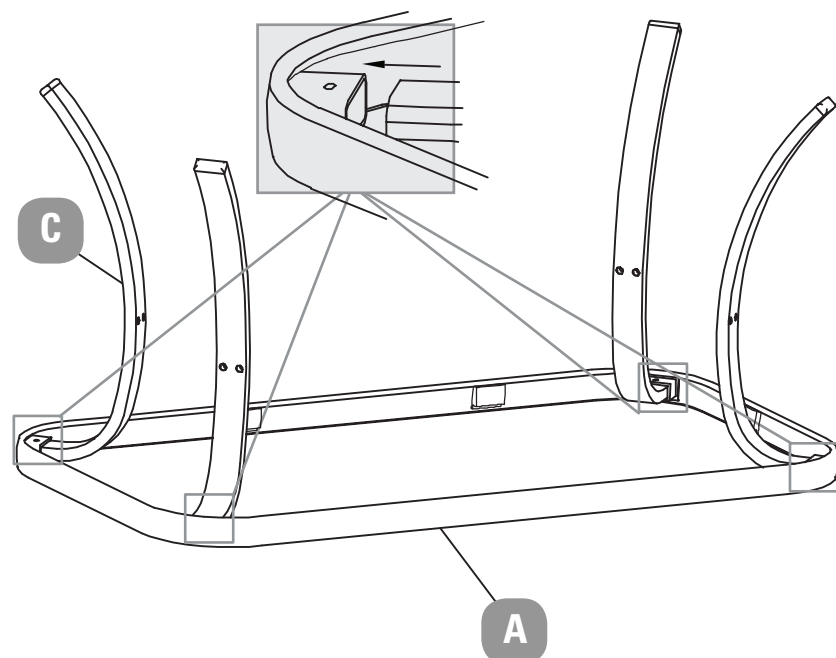
Ce qui est requis pour l'assemblage :



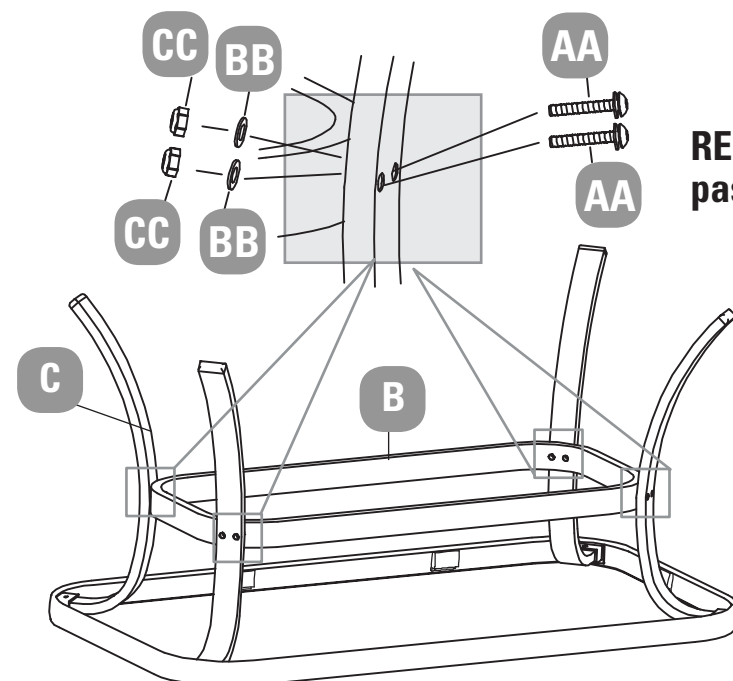
2 personnes

Étape 1Requiert **A, C**

Placez le plateau de table (A) à l'envers sur une surface molle. Insérez les pieds de table (C) dans les trous correspondants du plateau de table (A).

**Étape 2**Requiert **B, C, AA, BB, CC, DD, EE**

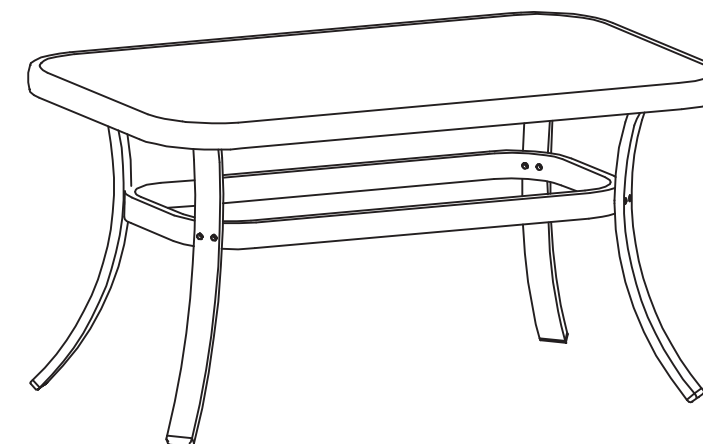
Placez le connecteur de pieds (B) entre les quatre pieds de table (C). Fixez le connecteur de pieds (B) au pied de table (C) à l'aide de la vis Boulon mixte M6x35 et rondelle (AA), la rondelle (BB) et l'écrou M6 (CC). Serrez légèrement les boulons à l'aide de la clé hexagonale (DD) et de la clé M6 (EE).



REMARQUE : Ne serrez pas complètement

Étape 3Requiert **DD, EE**

Assurez-vous que tous les boulons sont complètement serrés à l'aide de la clé hexagonale (DD) et de la clé M6 (EE). Remettez la table correctement à l'endroit. Votre table est désormais assemblée et prête à être utilisée.



**Attention!**

- Vérifiez tous les vis et écrous régulièrement pour voir s'ils sont serrés, et resserrez-les au besoin.
- Démontez l'article dans l'ordre inverse des étapes de l'assemblage.
- Démontez toujours complètement l'article. Un article partiellement démonté n'est pas suffisamment stable pour résister au vent et aux intempéries et peut donc être endommagé ou entraîner des dommages.
- Nettoyez l'article à l'eau et au savon doux. Rincez soigneusement et attendez que l'article soit sec avant de l'assembler à nouveau.

- Pour laver les pièces en tissu :
 - Étalez le tissu et utilisez une brosse à poils doux pour le nettoyer.
 - Utilisez toujours un savon doux, jamais de détergent.
 - L'eau doit toujours être froide ou tiède, jamais plus chaude que 25°C (77°F).
 - Faites sécher à l'air uniquement, n'essorez pas dans une machine à laver ou à la main.
- N'utilisez pas de javellisant, d'acide ou tout autre nettoyeur abrasif sur la toile ou les pièces de l'armature.
- Les composants en acier des accessoires et du mobilier de jardin sont traités avec une peinture antirouille. Toutefois, en raison de la nature de l'acier, l'oxydation de la surface (rouille) se produira si ce revêtement protecteur est éraflé. Il s'agit d'un processus naturel. Afin de le minimiser, il est recommandé de faire preuve de précaution au cours de l'assemblage et de la manutention du produit, pour éviter d'en érafler la peinture. La rouille de la surface peut être facilement enlevée en appliquant une faible quantité d'huile de cuisson ordinaire. Si la surface s'est oxydée (a rouille) et qu'aucune mesure n'est prise pour éliminer cette oxydation, elle pourrait commencer à couler sur la surface d'assemblage, ce qui pourrait causer des taches difficiles à enlever.

Dimensions (L x W x H)	35 x 19 x 18 in
	89.5 x 49.5 x 45.5cm
Poids du produit	17.6 lbs
	8 kg
Capacité	55 lbs
	25 kg

Cet article For Living est couvert par une garantie d'un (1) an contre les défauts de fabrication et de matériaux. Trileaf Distribution Trifeuil accepte de remplacer gratuitement un article défectueux pendant la période précisée de garantie lorsqu'il est retourné par l'acheteur original accompagné d'une preuve d'achat. Cet produit n'est pas garanti contre l'usure ou les bris causés par un mauvais usage ou un usage abusif.