



DO NOT RETURN TO RETAILER

IF YOU HAVE ANY QUESTIONS OR CONCERNS
PLEASE VISIT OUR WEBSITE AT:

www.yotrioint.com

OR TOLL FREE AT:

1-866-905-4107

MONDAY-FRIDAY 8:30 AM TO 5:00 PM PACIFIC STANDARD TIME / 11:30
AM TO 8:00PM EASTERN STANDARD TIME

YOTRIO CUSTOMER CARE

Warranty Coverage Requirements:

1. Copy of your Original Store Receipt.
2. Pictures of the damaged parts.
3. You must know the name of your product and any corresponding item numbers as well as the name of the store where you purchased the item.
4. Please gather all of this information BEFORE you call customer service.

CARE AND MAINTENANCE

- ❖ Before using, wipe the product completely with a soft, dry cloth.
- ❖ Spot-clean Cushions and slings using a sponge, mild soap and water. Rinse thoroughly with clean water. To prevent mildew, allow to air dry completely before using or storing.
- ❖ Never machine wash or tumble dry cushions, slings or umbrella covers as this will result in shrinkage or damage.
- ❖ Rinse wicker patio furniture with a hose or pressure washer. If the wicker is really dirty, you can use mild soap with water. Allow to dry completely before using or storing.
- ❖ To clean your patio umbrella, use a soft brush and mild soap and water. Allow to dry completely before storing.
- ❖ Avoid placing hot objects directly onto table top surface without a heat protector.
- ❖ Always store and/or cover your patio furniture in a cool dry place when not in used and away from direct sunlight.
- ❖ When storing, never wrap cushions in plastic. Plastic doesn't allow the cushion to breathe and can cause it to mildew if there's any moisture present.
- ❖ Always place your patio furniture away from fire, extreme heat, freezing conditions and inclement weather such as rain, hail, sleet, snow or wind.
- ❖ Never use bleach or strong solvents to clean as this will cause damage to both fabric and metal finishes.
- ❖ Do not allow water to build up in frames as this will cause corrosion and damage.

THREE-YEARS FRAME AND ONE-YEAR FABRIC/WICKER/FINISH ETC. LIMITED WARRANTY

You must retain the original receipt to obtain warranty service.

- ❖ Frames are warranted against defects in materials and workmanship for a period of three years from the date of original purchase.
This warranty does not cover damage to frames or welds due to commercial use, improper assembly, acts of nature, fire, freezing and abusive use.
- ❖ Rust, corrosion, and/ or rust stains are not covered by warranty.
- ❖ Purchased parts are not covered under this warranty.
- ❖ Fabric on cushions, slings and umbrella is warranted one year against separation at the seams.
Fading, mildew, and color discoloration due to exposure to the elements, chemicals and spills are not covered.
- ❖ The Powder coat and/ or paint are warranted one year against blistering, peeling, or crackling.
Fading due to exposure to elements, chemicals and spills is not covered. Scratches and chips due to normal wear and use are not covered.
- ❖ Wicker Weave are warranted one year against breakage, separation, or tearing.
Fading or discoloration due to exposure from chemicals, spills and/ or the elements is not covered.
- ❖ Warranty covers free replacement of item within one year of purchase. After the one year it remains the customer's responsibility for freight and packaging charges to and from our service center.
- ❖ We do not compensate the individual or any outside party for assembling or disassembling the product.
- ❖ Any replacement of warranted items will be in the original style and color, or similar style and color if the original is un-available or has been discontinued.
Questions, problems, missing parts? Before returning to your retailer, call our customer service department at (866) 905-4107, 8:30 a.m. – 5:00 p.m. PST /11:30 a.m.- 8:00 p.m., EST, Monday- Friday.

Walmart Assembly Instruction

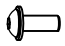
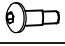
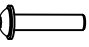
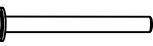
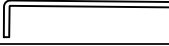

BHG Meritmoor 9.44X11.81FT Pergola

Stock# BH17-092-097-27 / BH17-092-097-28 / GFM00752B

Package contents:

PART.NO	DESCRIPTION	QTY
A1	Back long connector bar	1
A2	Short connector bar	2
B	Front long connector bar	1
C	Top bar	2
D	Outer bar	2
E	Center bar	1
F	End left fabric hanger	1
G	End right fabric hanger	1
H1	Left fabric hanger	4
H2	Right fabric hanger	4
I	Post	4
J	Protective cover	1
K	Canopy	1
L	Outer bar tip	4
M	Top bar tip	4
N	Connector bar tip	4
O	Center bar tip	2
P	Post base plate	4
Q	U-shape kit	4

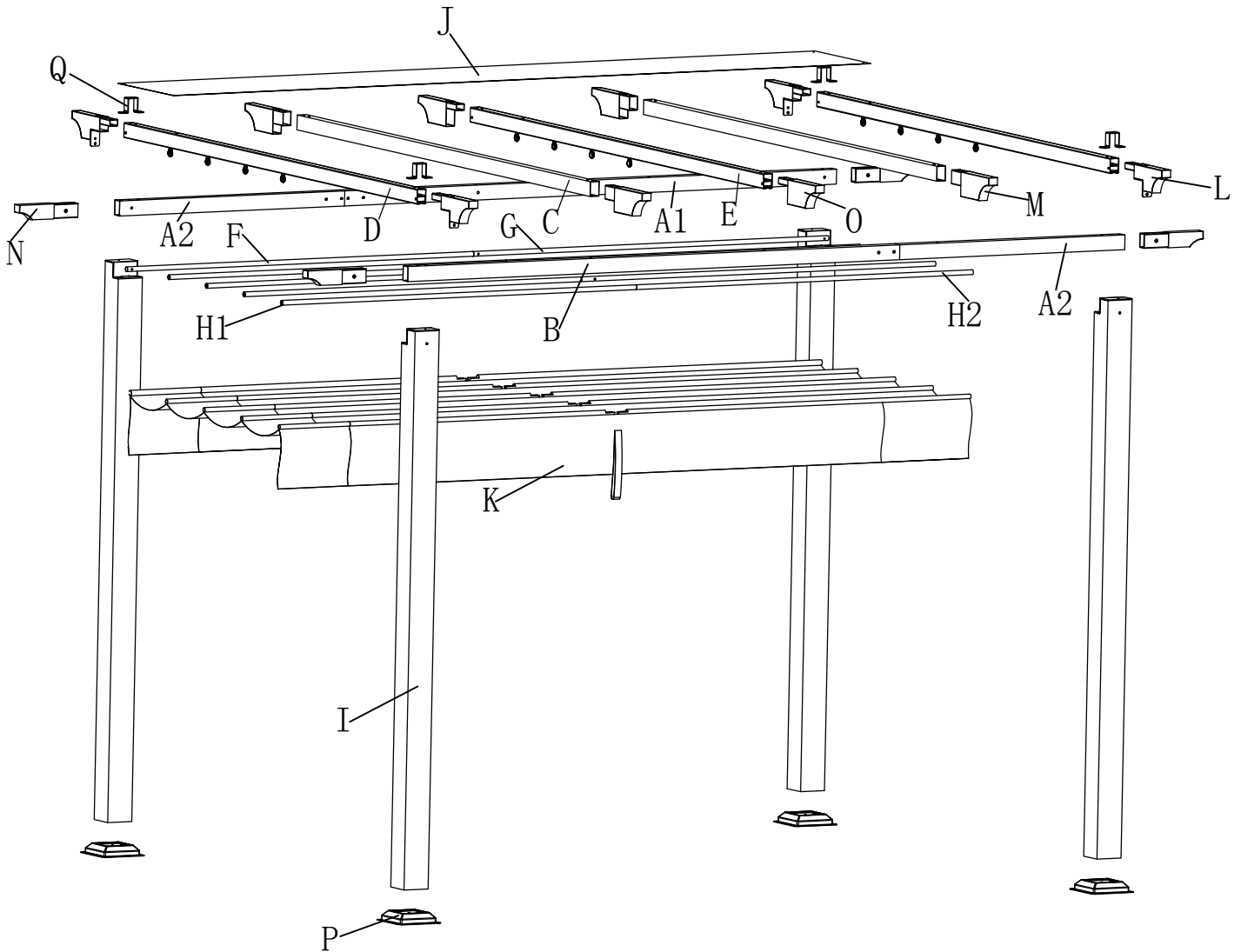
Hardware contents:

PART.NO	PICTURE	DESCRIPTION	QTY
AA		M6x15 Bolt & washer	37+2
BB		M6x18 Bolt	8+1
CC		M6x35 Bolt & washer	3+1
DD		M6x80 Bolt & washer	22+1
EE		Ground Spike	16
FF		Allen Wrench	2

Walmart Assembly Instruction

BHG Meritmoor 9.44X11.81FT Pergola

Stock# BH17-092-097-27 / BH17-092-097-28 / GFM00752B



WARNING:

KEEP ALL FLAME AND HEAT SOURCES AWAY FROM THIS CANOPY FABRIC

This canopy is made with flame-resistant fabric which meets CPAI-84 specifications. It is not fire proof. The canopy fabric will burn if left in continuous contact with any flame source. The application of any foreign substance to the canopy fabric may render the flame-resistant properties ineffective.

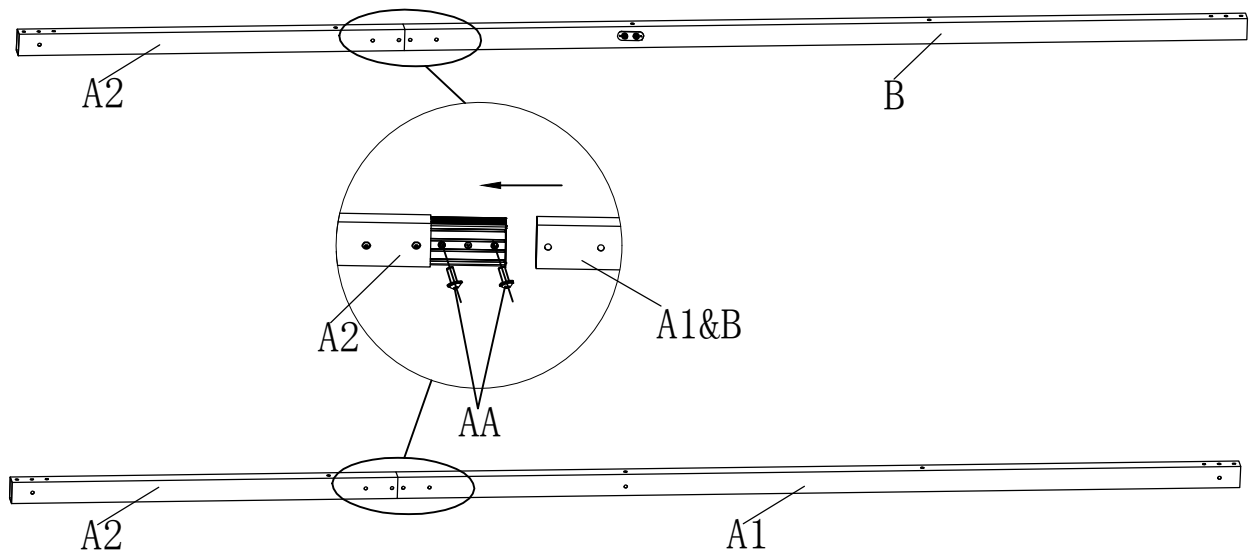
Walmart Assembly Instruction

BHG Meritmoor 9.44X11.81FT Pergola

Stock# BH17-092-097-27 / BH17-092-097-28 / GFM00752B

Assembly Steps:

Step 1: Attach the back long connector bar (A1) to the short connector bar (A2) using M6x15 bolt & washer (AA). Attach the front long connector bar (B) to the short connector bar (A2) using M6x15 bolt & washer (AA). Tighten all bolts with Allen wrench (FF).

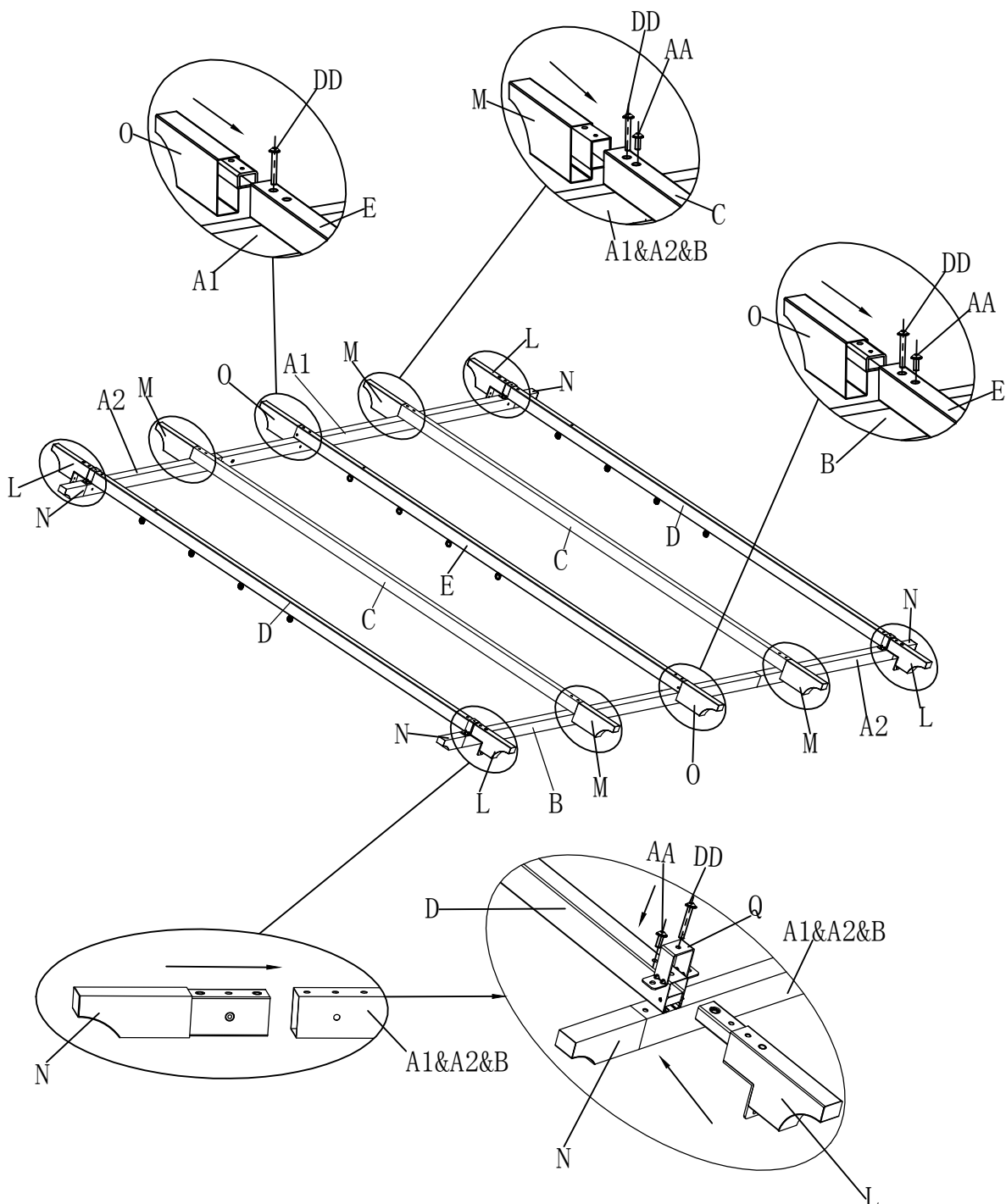


Walmart Assembly Instruction

BHG Meritmoor 9.44X11.81FT Pergola

Stock# BH17-092-097-27 / BH17-092-097-28 / GFM00752B

Step 2: Insert the connector bar tips (N) into the pre-assembled connector bars (A1,A2 & B),
Insert the outer bar tips (L) into the outer bars (D).
Insert the top bar tips (M) into the top bars (C).
Insert the center bar tips (O) into the center bar (E).
Put the U-shape kits (Q) on the end of the outer bars (D).
Attach the top bars (C), outer bars (D) and center bar (E) to the connector bars (A1,A2 & B)
using M6x15 bolt & washer (AA) and M6x80 bolt & washer (DD). Tighten all bolts with
Allen wrench (FF).

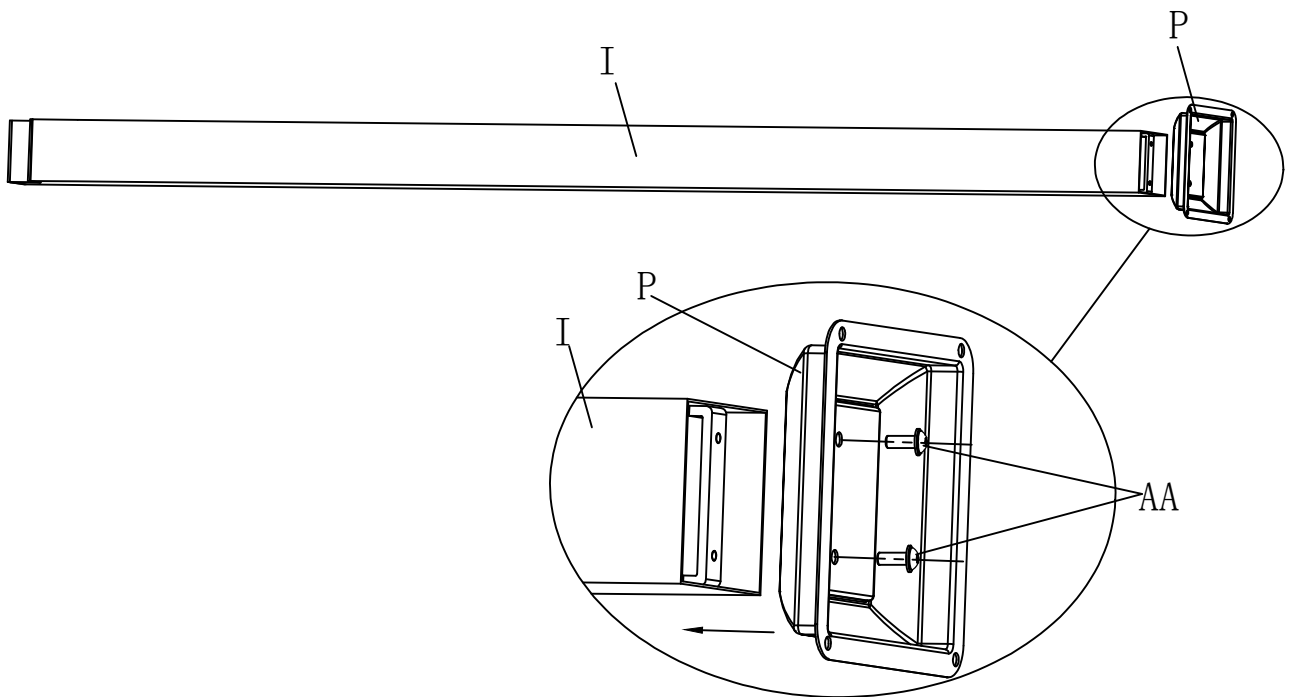


Walmart Assembly Instruction

BHG Meritmoor 9.44X11.81FT Pergola

Stock# BH17-092-097-27 / BH17-092-097-28 / GFM00752B

Step 3: Attach the post base plates (P) to the posts (I) using M6x15 bolt & washer (AA).
Tighten all bolts with Allen wrench (FF).

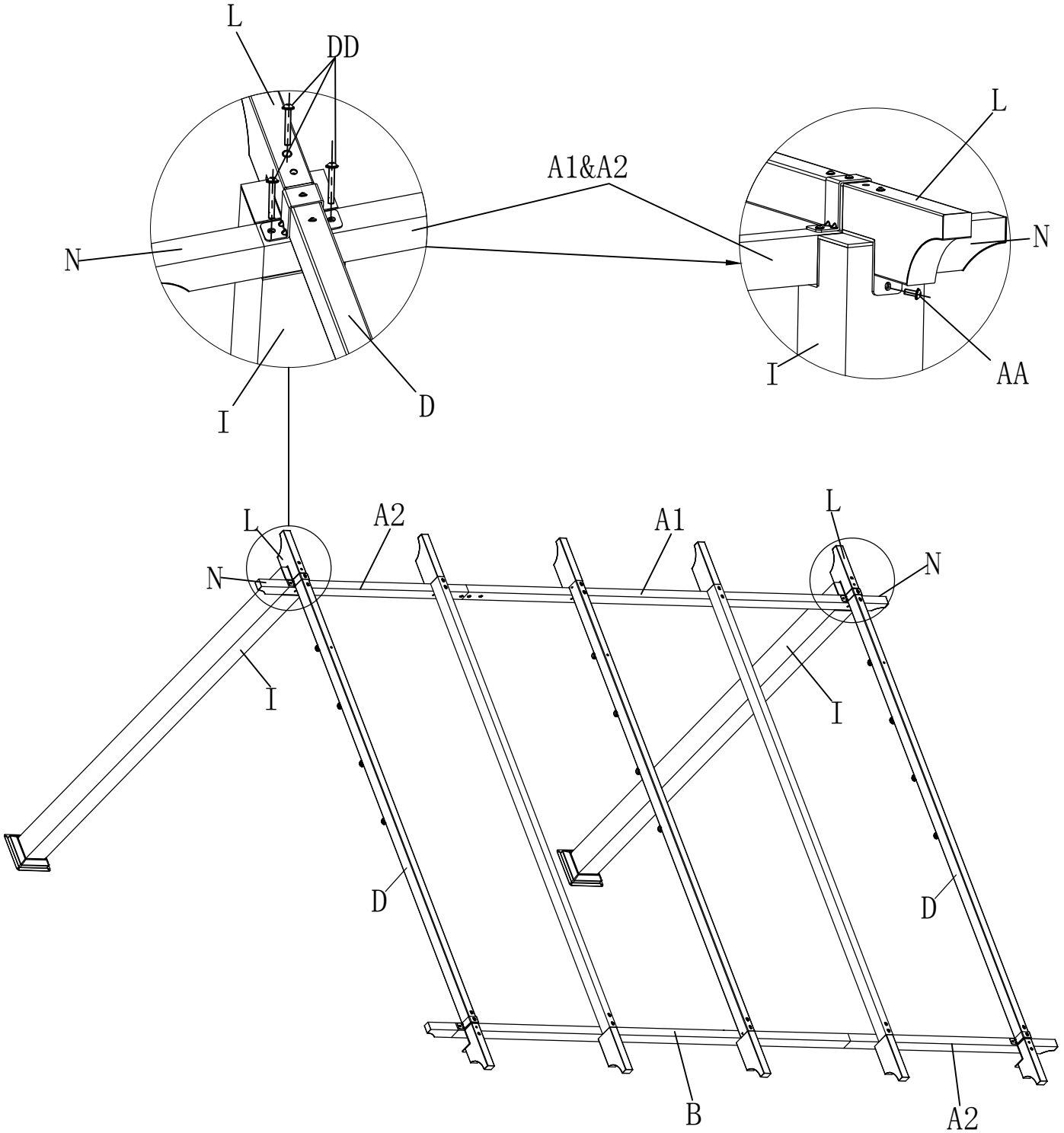


Walmart Assembly Instruction

BHG Meritmoor 9.44X11.81FT Pergola

Stock# BH17-092-097-27 / BH17-092-097-28 / GFM00752B

Step 4: Attach the posts (I) to the connector bars (A1&A2) and outer bars (D) on the pre-assembled parts using M6x80 bolt & washer (DD) and M6x15 bolt & washer (AA). Tighten all bolts with Allen wrench (FF).

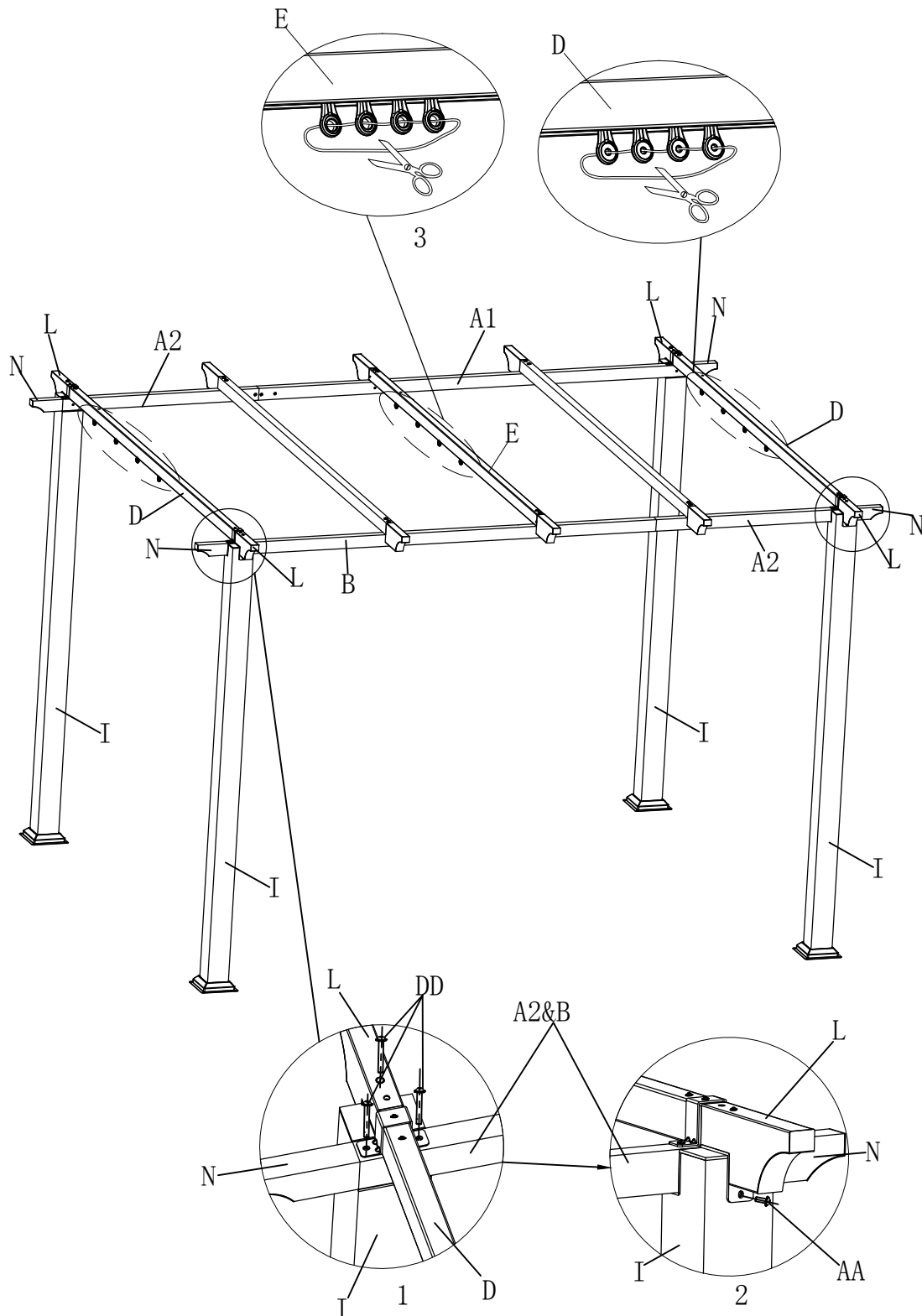


Walmart Assembly Instruction

BHG Meritmoor 9.44X11.81FT Pergola

Stock# BH17-092-097-27 / BH17-092-097-28 / GFM00752B

Step 5: Attach the posts (I) to the front connector bar (B & A2) and outer bars (D) using M6x80 bolt & washer (DD) and M6x15 bolt & washer (AA). Cut the rope in the wheel on the outer bars (D) and center bar (E). Tighten all bolts with Allen wrench (FF).

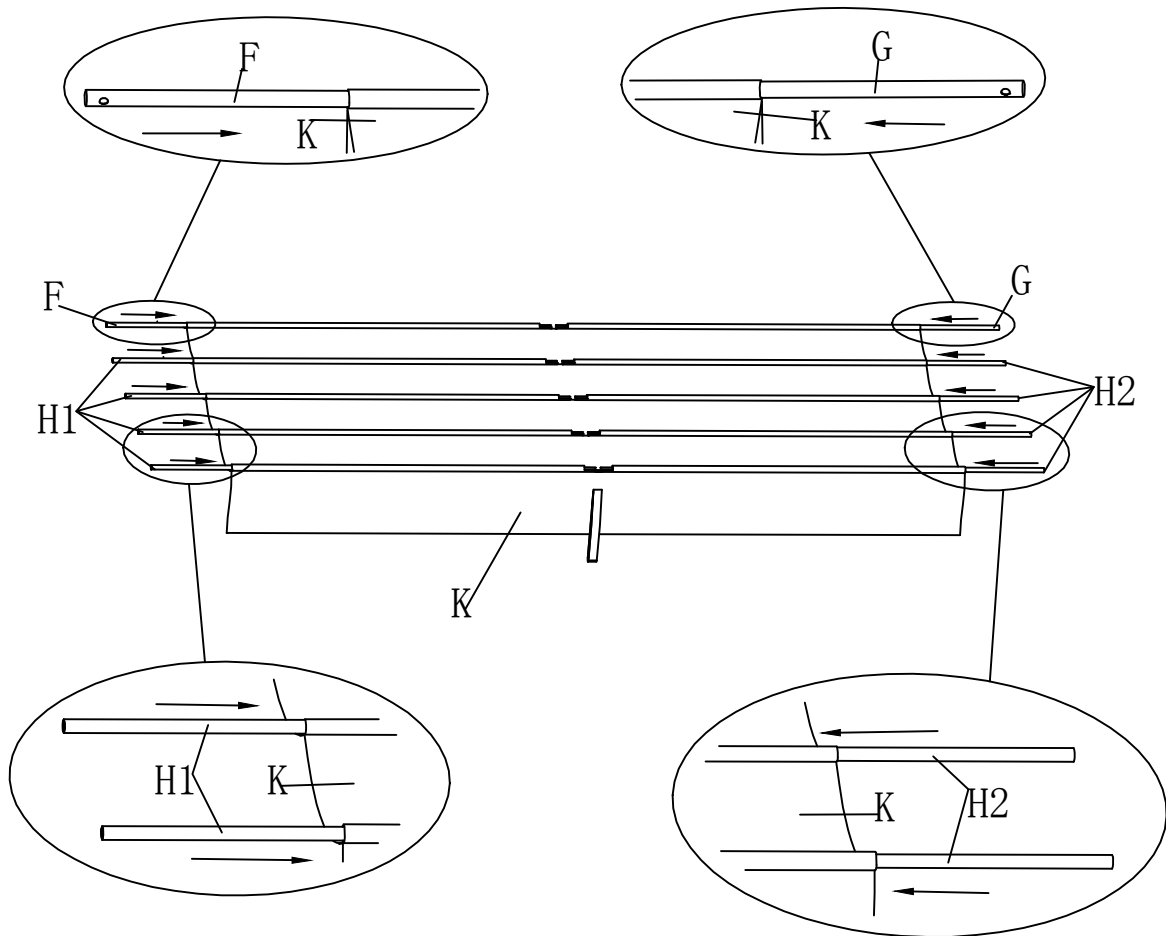


Walmart Assembly Instruction

BHG Meritmoor 9.44X11.81FT Pergola

Stock# BH17-092-097-27 / BH17-092-097-28 / GFM00752B

Step 6: Insert the end left fabric hanger (F) and the end right fabric hanger (G) into each side of the slot at the end of the canopy. Insert the left fabric hanger (H1) and the right fabric hanger (H2) into the remaining slots of the canopy (K).



Walmart Assembly Instruction

BHG Meritmoor 9.44X11.81FT Pergola

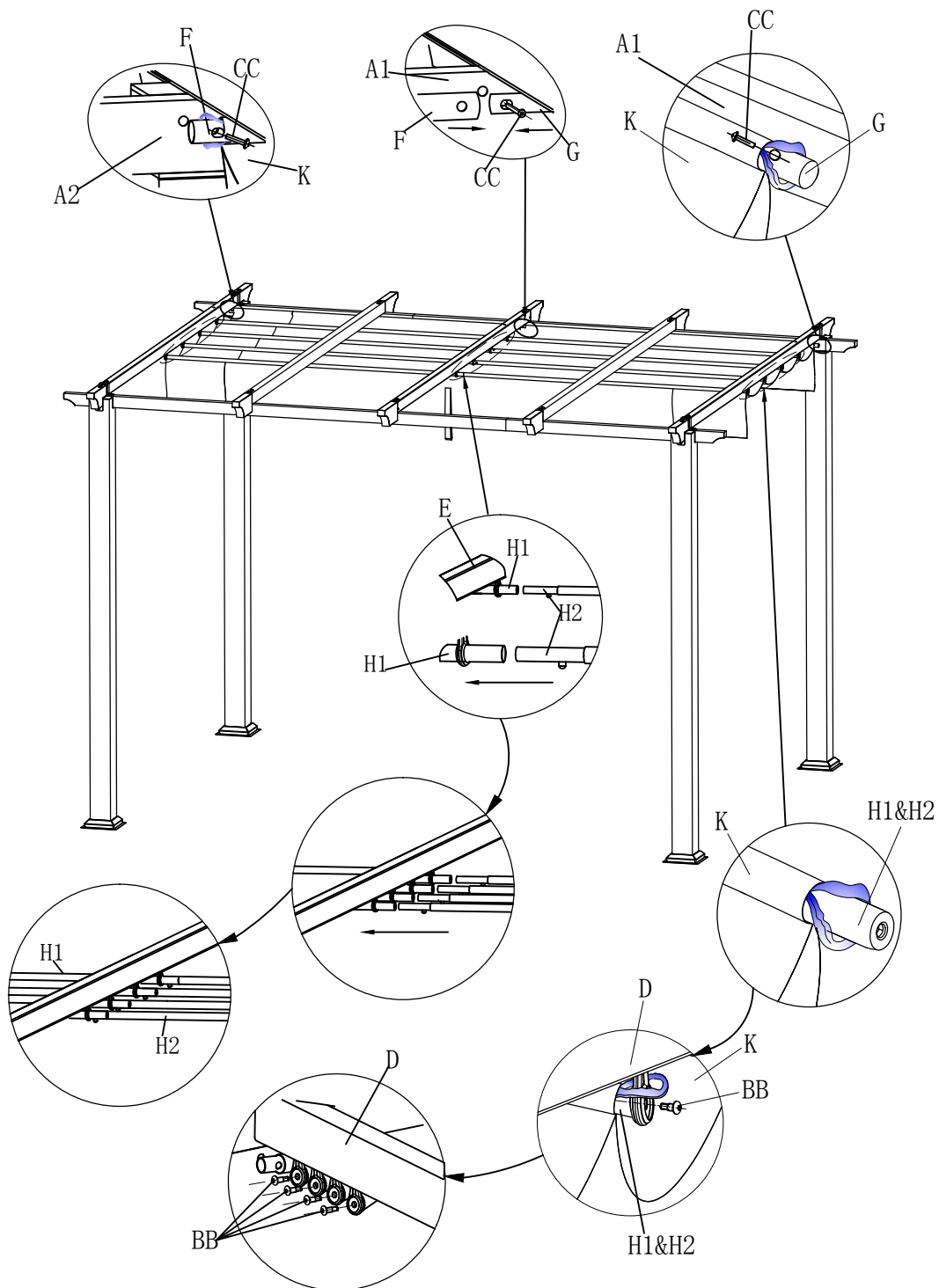
Stock# BH17-092-097-27 / BH17-092-097-28 / GFM00752B

Step 7: Attach the ends of the end left fabric hanger (F) and the end right fabric hanger (G) to the connector bar (A1&A2) using M6 x 35 bolt & washer (CC).

Attach the left fabric hangers (H1) to the right fabric hangers (H2), through the wheels on the center bar (E). Attach the left fabric hanger (H1) and right fabric hanger (H2) to the wheels on outer bars (D) using M6x18 bolt (BB).

Tighten all bolts with Allen wrench (FF).

Pull the elastic cord at the end of the canopy around the wheels.



Walmart Assembly Instruction

BHG Meritmoor 9.44X11.81FT Pergola

Stock# BH17-092-097-27 / BH17-092-097-28 / GFM00752B

Step 8: Attach the protective cover (J) to the outer bars (D) and center bar (E) using M6x15 bolt & washer (AA). Insert ground spikes (EE) into the holes on the post base plates (P) and into the ground.

Tighten all bolts with Allen wrench (FF). Ensure that all connections are secure before use.

