









Assembly Instructions for Recliner

FRS62227R

NOTE: Do not completely tighten screws first!

PART NO.	PICTURE	DESCRIPTION	QTY
A		Seat Frame	1
B		Back Frame	1
C		Back Cushion	1
D		Seat Cushion	1
E		Pillow	1
AA	 M6*30	Bolt	4
BB		Plastic Washer	8
CC		Allen Wrench	1

STEP 1

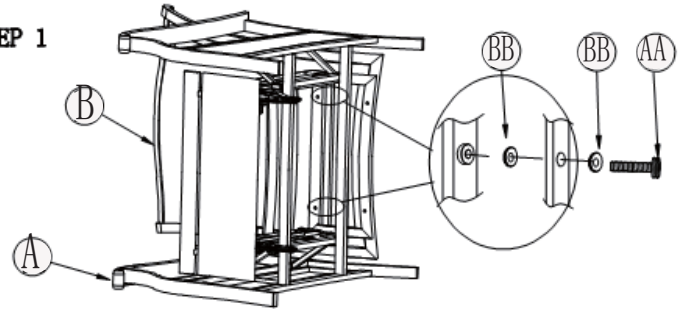


Fig. 1

Step 1: Attach back frame (B) to seat frame (A) by lining up upper screw holes on back frame (B) with corresponding screw holes on seat frame (A). Secure with M6*30 bolt (AA) and plastic washer (BB) using hex wrench (CC) to tighten. Do not completely tighten screws now. Please see Fig. 1.

Step 2: Line up lower screw holes on back frame (B) with corresponding screw holes on seat frame (A). Secure with M6*30 bolt (AA) and plastic washer (BB) using hex wrench (CC) to tighten. Do not completely tighten screws now. Please see Fig.2.

STEP 2

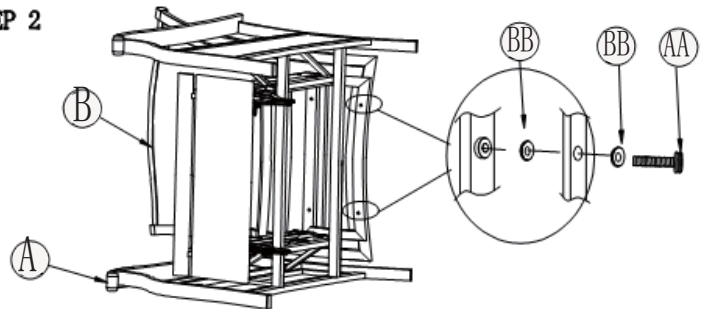


Fig. 2

Questions, problems, missing parts? Before returning to your retailer, call our customer service department at (866) 905-4107, 8:30 a.m. – 5:00 p.m. PST / 11:30 a.m.- 8:00 p.m., EST, Monday- Friday.

NOTE: Do not completely tighten screws first!

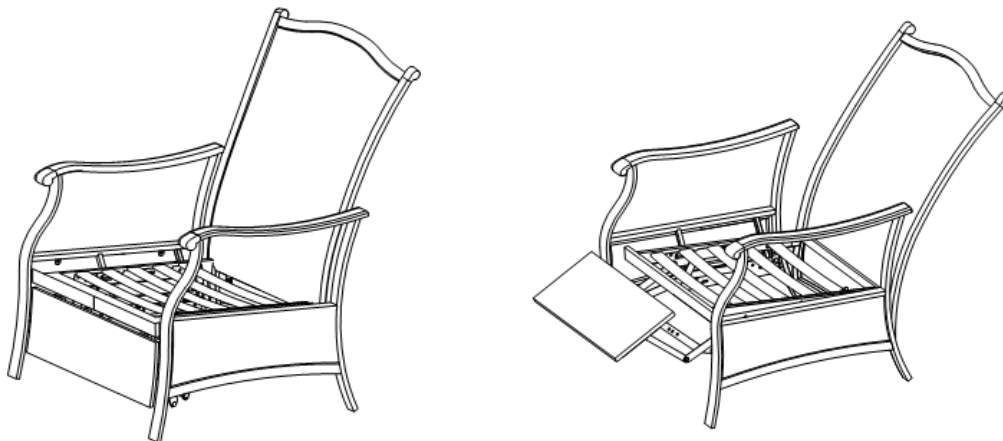
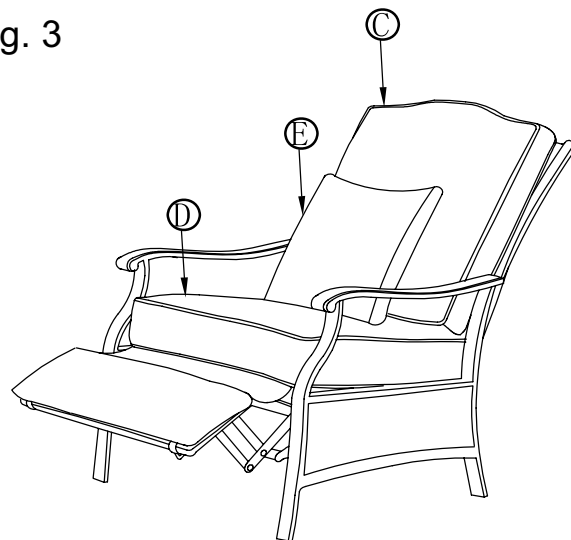


Fig. 3



Step 3: Tighten all screws completely. Return recliner to upright position on a flat level surface. Ensure all connections are secure before use. Place the cushion (C) on the recliner and tie the velcro straps. Please see Fig. 3.

Questions, problems, missing parts? Before returning to your retailer, call our customer service department at (866) 905-4107, 8:30 a.m. – 5:00 p.m. PST /11:30 a.m.- 8:00 p.m., EST, Monday- Friday.