



**DO NOT RETURN TO RETAILER**

IF YOU HAVE ANY QUESTIONS OR CONCERNS  
PLEASE VISIT OUR WEBSITE AT:

**[www.yotrioint.com](http://www.yotrioint.com)**

OR TOLL FREE AT:

**1-866-905-4107**

MONDAY-FRIDAY 8:30 AM TO 5:00 PM PACIFIC STANDARD TIME / 11:30  
AM TO 8:00PM EASTERN STANDARD TIME

## **YOTRIO CUSTOMER CARE**

### Warranty Coverage Requirements:

1. Copy of your Original Store Receipt.
2. Pictures of the damaged parts.
3. You must know the name of your product and any corresponding item numbers as well as the name of the store where you purchased the item.
4. Please gather all of this information BEFORE you call customer service.

## **CARE AND MAINTENANCE**

- ❖ Before using, wipe the product completely with a soft, dry cloth.
- ❖ Spot-clean Cushions and slings using a sponge, mild soap and water. Rinse thoroughly with clean water. To prevent mildew, allow to air dry completely before using or storing.
- ❖ Never machine wash or tumble dry cushions, slings or umbrella covers as this will result in shrinkage or damage.
- ❖ Rinse wicker patio furniture with a hose or pressure washer. If the wicker is really dirty, you can use mild soap with water. Allow to dry completely before using or storing.
- ❖ To clean your patio umbrella, use a soft brush and mild soap and water. Allow to dry completely before storing.
- ❖ Avoid placing hot objects directly onto table top surface without a heat protector.
- ❖ Always store and/or cover your patio furniture in a cool dry place when not in used and away from direct sunlight.
- ❖ When storing, never wrap cushions in plastic. Plastic doesn't allow the cushion to breathe and can cause it to mildew if there's any moisture present.
- ❖ Always place your patio furniture away from fire, extreme heat, freezing conditions and inclement weather such as rain, hail, sleet, snow or wind.
- ❖ Never use bleach or strong solvents to clean as this will cause damage to both fabric and metal finishes.
- ❖ Do not allow water to build up in frames as this will cause corrosion and damage.

## **TWO-YEARS FRAME AND ONE-YEAR FABRIC/WICKER/FINISH ETC. LIMITED WARRANTY**

**You must retain the original receipt to obtain warranty service.**

- ❖ Frames are warranted against defects in materials and workmanship for a period of two years from the date of original purchase.  
This warranty does not cover damage to frames or welds due to commercial use, improper assembly, acts of nature, fire, freezing and abusive use.
- ❖ Rust, corrosion, and/ or rust stains are not covered by warranty.
- ❖ Purchased parts are not covered under this warranty.
- ❖ Fabric on cushions, slings and umbrella is warranted one year against separation at the seams.  
Fading, mildew, and color discoloration due to exposure to the elements, chemicals and spills are not covered.
- ❖ The Powder coat and/ or paint are warranted one year against blistering, peeling, or crackling.  
Fading due to exposure to elements, chemicals and spills is not covered. Scratches and chips due to normal wear and use are not covered.
- ❖ Wicker Weave are warranted one year against breakage, separation, or tearing.  
Fading or discoloration due to exposure from chemicals, spills and/ or the elements is not covered.
- ❖ Warranty covers free replacement of item within one year of purchase. After the one year it remains the customer's responsibility for freight and packaging charges to and from our service center.
- ❖ We do not compensate the individual or any outside party for assembling or disassembling the product.
- ❖ Any replacement of warranted items will be in the original style and color, or similar style and color if the original is un-available or has been discontinued.  
Questions, problems, missing parts? Before returning to your retailer, call our customer service department at (866) 905-4107, 8:30 a.m. – 5:00 p.m. PST /11:30 a.m.- 8:00 p.m., EST, Monday- Friday.

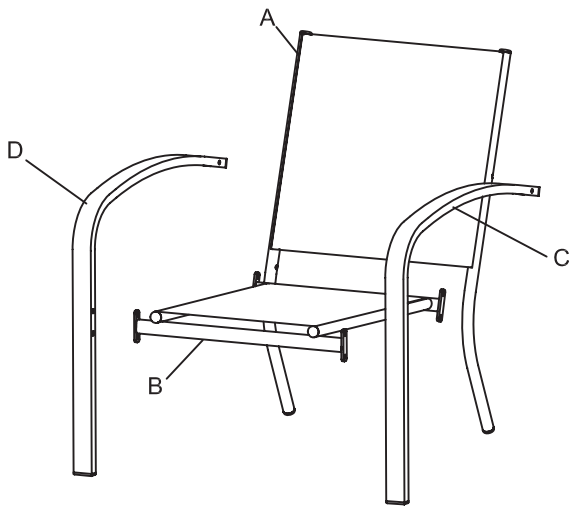
# Walmart Assembly Instruction

## MS 4PC SLING CONVERSATION SET

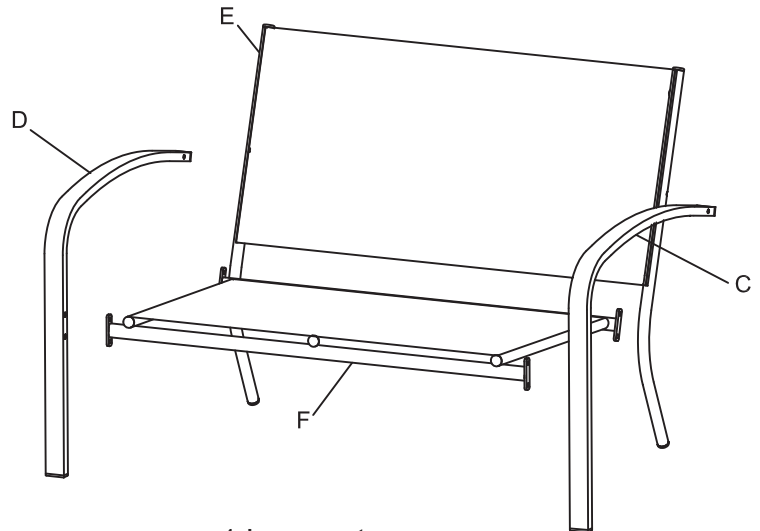
Stock# MS18-301-002-10

NOTE: Do not completely tighten bolts until all steps are completed.

### PACKAGE CONTENTS

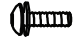

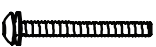






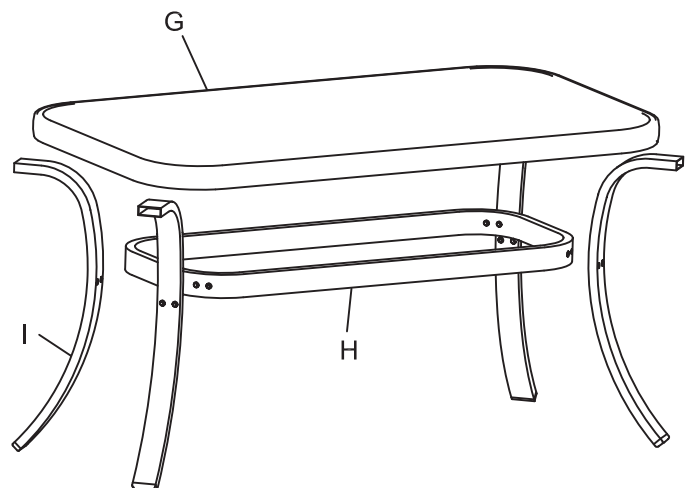
2 chairs



1 loveseat

### Hardware Contents

PART NO.	PICTURE	DESCRIPTION	QTY
AA		M6x15 Bolt & Washer	24+1
BB		M6x35 Bolt & Washer	8+1
CC		M6x55 Bolt & Washer	6+1
DD		Washer	8+1
EE		NUT	8+1
FF		Allen Wrench	1
GG		Wrench	1



1 coffee table



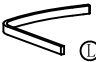

Questions, problems, missing parts? Before returning to your retailer, call our customer service department at (866) 905-4107, 8:30 a.m. – 5:00 p.m. PST /11:30 a.m.- 8:00 p.m., EST, Monday- Friday.

# Walmart Assembly Instruction

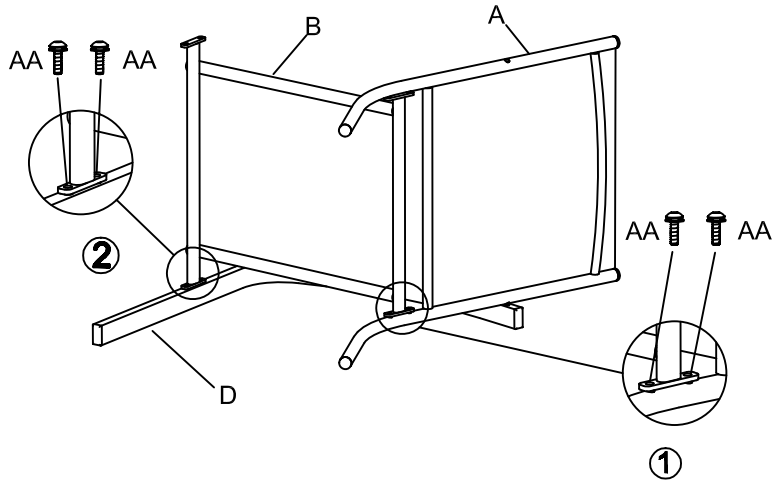
## MS 4PC SLING CONVERSATION SET - CHAIR

Stock# MS18-301-002-10

NOTE: Do not completely tighten bolts until all steps are completed.

PART NO.	PICTURE	DESCRIPTION	QTY
A		Chair Back	2
B		Chair Seat	2
C		Left Arm	2
D		Right Arm	2

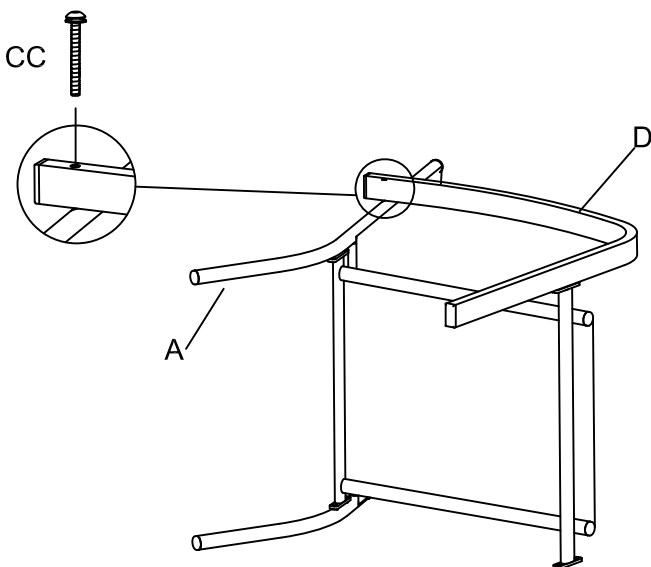
### Step 1



#### Step 1:

- Place the right arm (D) on a soft surface.
- Attach the chair seat (B) & the chair back (A) to the right arm (D).
- Insert the M6 x 15 bolt & washer (AA) to connect the seat (B) and the back (A). refer to image ①
- Insert the M6 x 15 bolt & washer (AA) to connect the seat (B) and the right arm (D). refer to image ②
- Loosely tighten by hand.

### Step 2



#### Step 2:

- Insert the M6 x 55 bolt & washer (CC) to connect right arm (D) and chair back (A).
- Loosely tighten by hand.

Questions, problems, missing parts? Before returning to your retailer, call our customer service department at (866) 905-4107, 8:30 a.m. – 5:00 p.m. PST /11:30 a.m.- 8:00 p.m., EST, Monday- Friday.

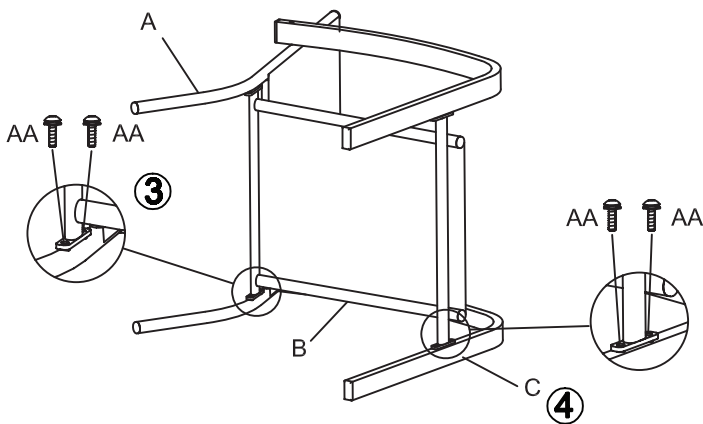
# Walmart Assembly Instruction

## MS 4PC SLING CONVERSATION SET - CHAIR

Stock# MS18-301-002-10

NOTE: Do not completely tighten bolts until all steps are completed.

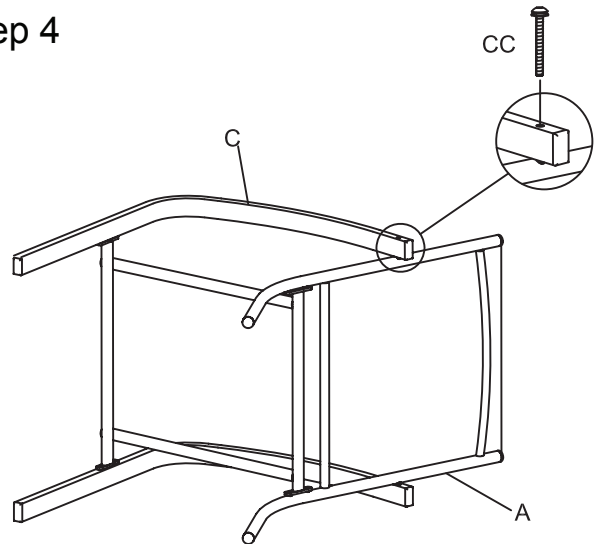
### Step 3



#### Step 3:

- Place the left arm (C) on a soft surface.
- Attach the pre-assembled part to left arm (C).
- Insert the M6 x 15 bolt & washer (AA) to connect the seat (B) and the back (A).  
refer to image **3**
- Insert the M6 x 15 bolt & washer (AA) to connect the seat (B) and the left arm (C).  
refer to image **4**
- Loosely tighten by hand.

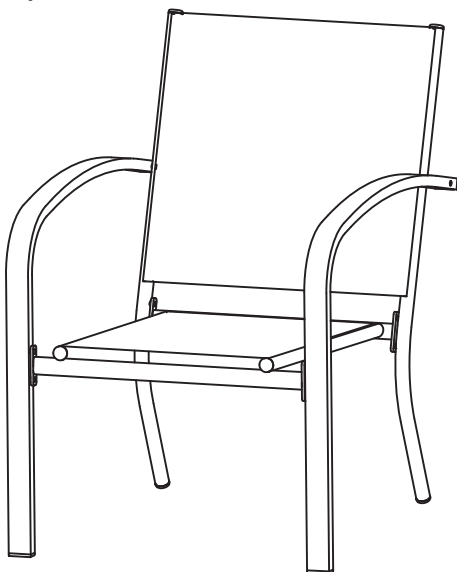
### Step 4



#### Step 4:

- Insert the M6 x 55 bolt & washer (CC) to connect left arm (C) and chair back (A).
- Loosely tighten by hand.

### Step 5



#### Step 5:

- Completely tighten all bolts with Allen wrench (FF).
- Turn the chair right side up and ensure all connections are secure before use.





Questions, problems, missing parts? Before returning to your retailer, call our customer service department at (866) 905 - 4107, 8:30 a.m. - 5:00 p.m. PST/11:30 a.m. - 8:00 p.m., EST, Monday - Friday.

# Walmart Assembly Instruction

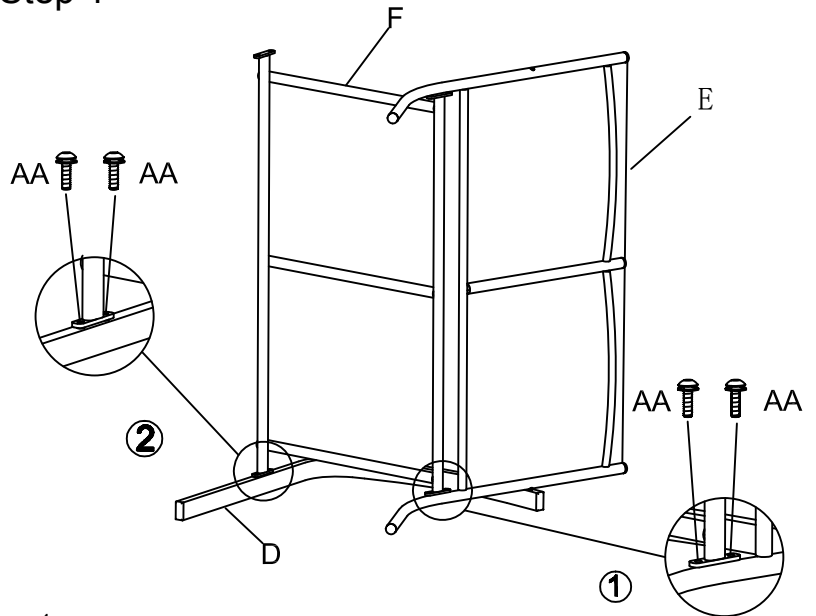
## MS 4PC SLING CONVERSATION SET - LOVESEAT

Stock# MS18-301-002-10

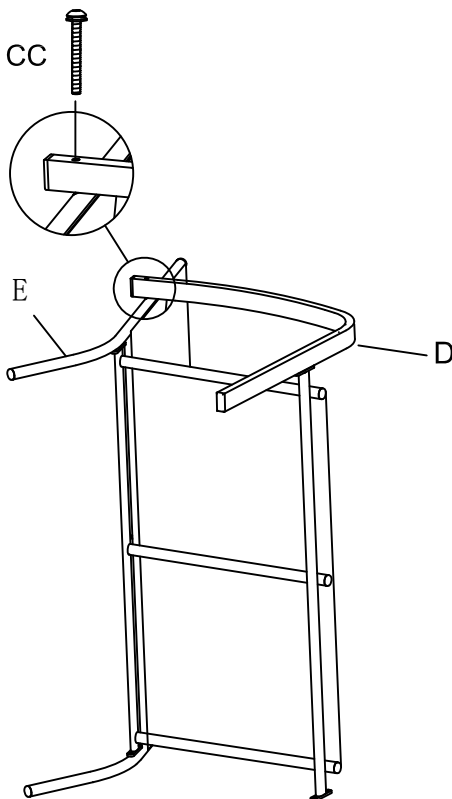
NOTE: Do not completely tighten bolts until all steps are completed.

PART NO.	PICTURE	DESCRIPTION	QTY
C		Left Arm	1
D		Right Arm	1
E		Loveseat Back	1
F		Loveseat Seat	1

### Step 1



### Step 2



#### Step 1:

- Place the right arm (D) on a soft surface.
- Attach the loveseat back (E) & the loveseat seat (F) to the right arm (D).
- Insert the M6 x 15 bolt & washer (AA) to connect the loveseat back (E) and the loveseat seat (F).  
refer to image ①
- Insert the M6 x 15 bolt & washer (AA) to connect the loveseat seat (F) and the right arm (D).  
refer to image ②
- Loosely tighten by hand.

#### Step 2:

- Insert the M6 x 55 bolt & washer (CC) to connect right arm (D) and loveseat back (E) .
- Loosely tighten by hand.

Questions, problems, missing parts? Before returning to your retailer, call our customer service department at (866) 905 - 4107, 8:30 a.m. - 5:00 p.m. PST/11:30 a.m. - 8:00 p.m., EST, Monday - Friday.

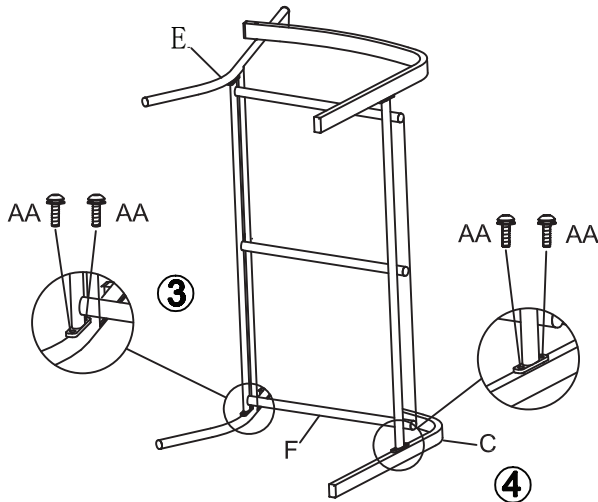
# Walmart Assembly Instruction

## MS 4PC SLING CONVERSATION SET - LOVESEAT

Stock# MS18-301-002-10

NOTE: Do not completely tighten bolts until all steps are completed.

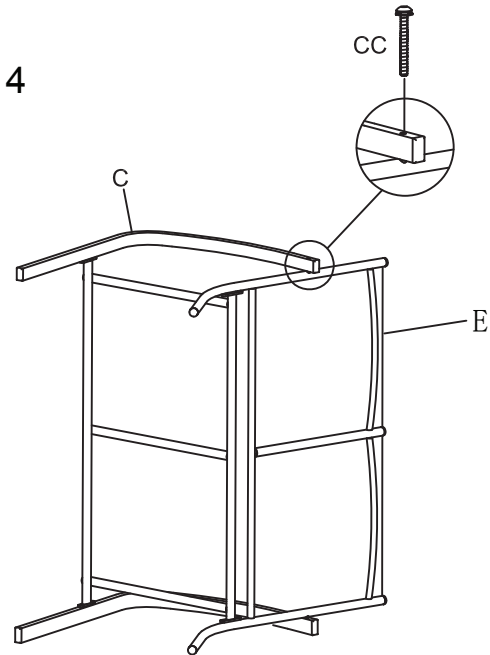
### Step 3



#### Step 3:

- Place the left arm (C) on a soft surface.
- Attach the pre-assembled part to left arm (C).
- Insert the M6 x 15 bolt & washer (AA) to connect the loveseat seat (F) and the loveseat back (E). refer to image ③
- Insert the M6 x 15 bolt & washer (AA) to connect the loveseat seat (F) and the left arm (C). refer to image ④
- Loosely tighten by hand.

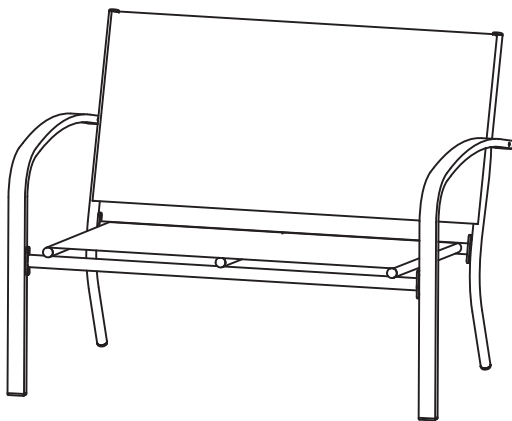
### Step 4



#### Step 4:

- Insert the M6 x 55 bolt & washer (CC) to connect left arm (C) and loveseat back (E).
- Loosely tighten by hand.

### Step 5



#### Step 5:

- Completely tighten all bolts with Allen wrench (FF).
- Turn the chair right side up and ensure all connections are secure before use.




Questions, problems, missing parts? Before returning to your retailer, call our customer service department at (866) 905 - 4107, 8:30 a.m. - 5:00 p.m. PST/11:30 a.m. - 8:00 p.m., EST, Monday - Friday.

# Walmart Assembly Instruction

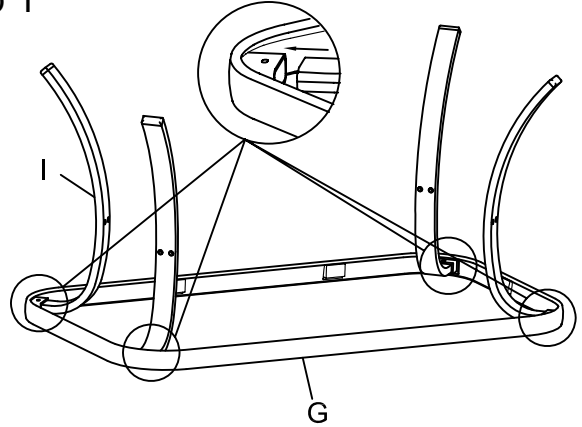
## MS 4PC SLING CONVERSATION SET - TABLE

Stock# MS18-301-002-10

NOTE: Do not completely tighten bolts until all steps are completed.

PART NO.	PICTURE	DESCRIPTION	QTY
G		Table Top	1
H		Connecting Ring	1
I		Table Leg	4

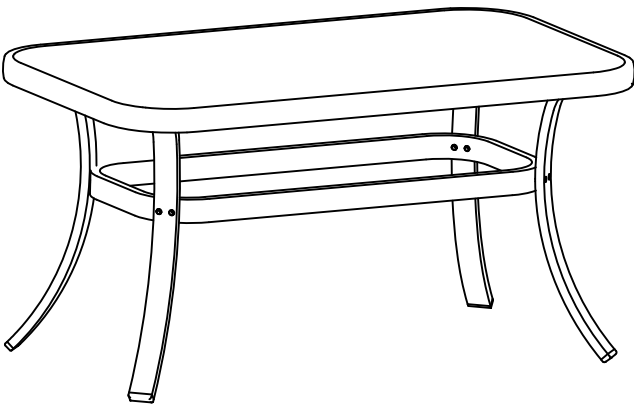
### Step 1



#### Step 1:

- Place the table top (G) upside down on a soft surface.
- Insert the table legs (I) into the corresponding holes on table top (G).

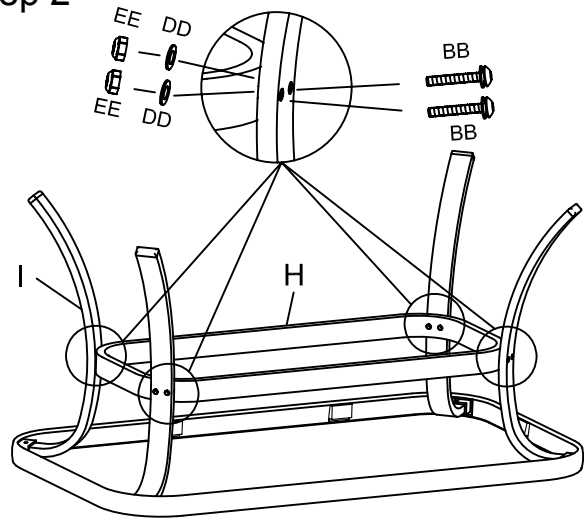
### Step 3



#### Step 3:

- Completely tighten all the bolts with Allen wrench (FF) & wrench (GG) .
- Turn the table right side up.
- Ensure all connections are secure before use.

### Step 2



#### Step 2:

- Place the connecting ring (H) between four table legs (I).
- Attach the connecting ring (H) to table leg (I) with M6x35 bolt & washer (BB), washer (DD) & the nut (EE) .
- Loosely tighten by hand.

Questions, problems, missing parts? Before returning to your retailer, call our customer service department at (866) 905-4107, 8:30 a.m. – 5:00 p.m. PST /11:30 a.m.- 8:00 p.m., EST, Monday- Friday.