

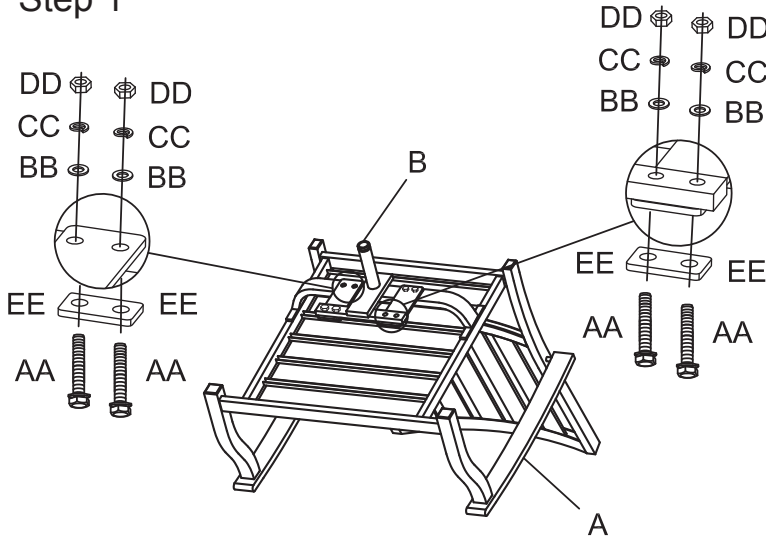
Walmart Assembly Instruction

Dining Metal Slat-back Swivel Chair 2pk - Black

Stock# BHS028059664001

NOTE: Do not completely tighten bolts until all steps are completed.

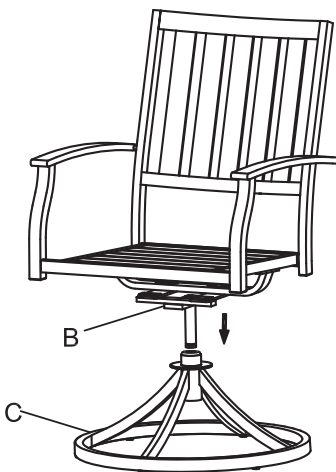
Step 1



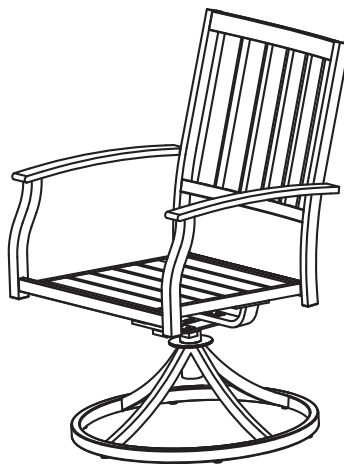
Step 1: Place the back & seat (A) upside down on a soft surface. Attach the T - R (B) to the seat support bar with M8x40 Hex bolt & washer (AA), spring metal (EE), washer (BB), spring washer (CC), and nut (DD). Loosely tighten with the Wrench (FF).

PART NO.	PICTURE	DESCRIPTION	QTY
A		Back & Seat	1x2
B		T - R	1x2
C		Base	1x2
AA		M8x40 Hex Bolt & Washer	4x2
BB		Washer	4x2
CC		Spring Washer	4x2
DD		Nut	4x2
EE		Spring Metal	2x2
FF		Wrench	2

Step 2



Step 3



Step 2: Fully tighten the bolts on the assembled parts completely. Place the T - R (B) to the base (C).

Step 3: Place the chair on a flat level surface and ensure all connections are secure before use.

Questions, problems, missing parts? Before returning to your retailer, call our customer service department at (866) 905-4107, 8:30 a.m. – 5:00 p.m. PST /11:30 a.m.- 8:00 p.m., EST, Monday- Friday.