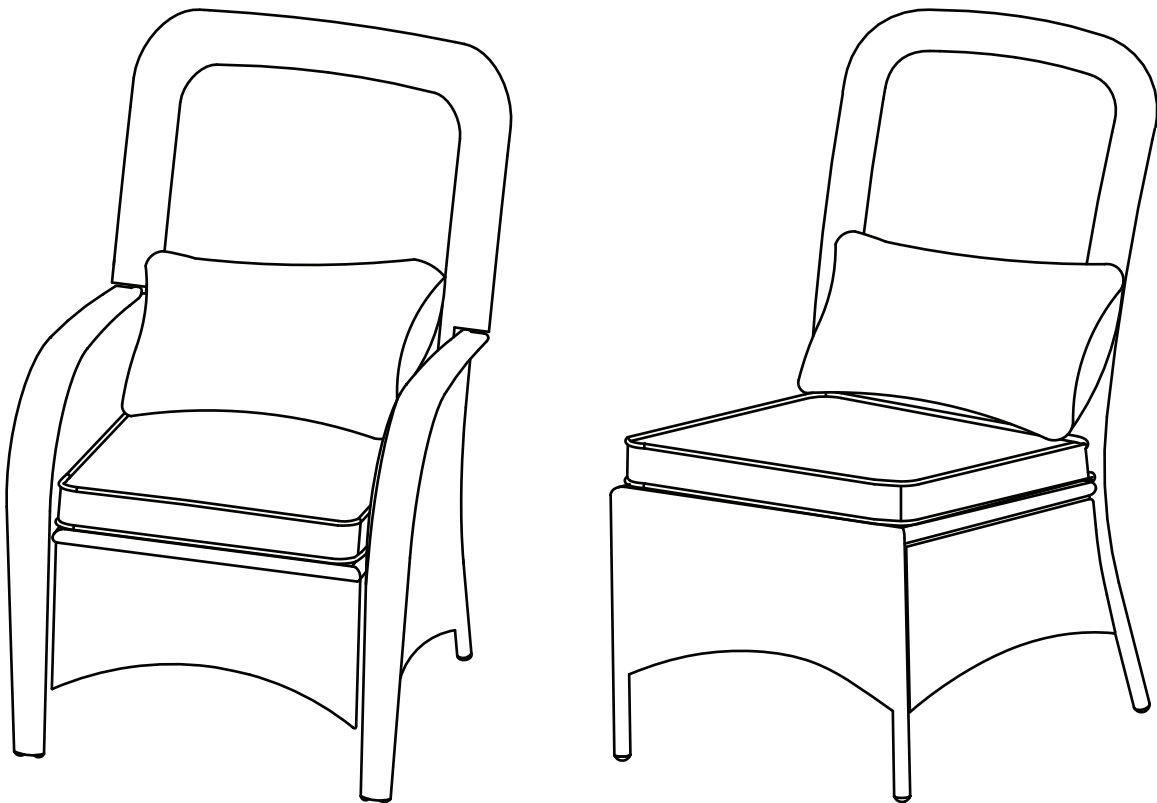


Item #0000 000 000
Model # FRS80938A-ST-1
FRS80938A-ST-1G

HAMPTON BAY®

USE AND CARE GUIDE

BEACON PARK 8PC DINING SET - DINING CHAIR



Questions, problems, missing parts? Before returning to the store,
call Hampton Bay Customer Service
8 a.m. - 7 p.m., EST, Monday – Friday, 9 a.m. – 6 p.m., EST, Saturday

1-855-HD-HAMPTON

HOMEDEPOT.CA

THANK YOU

We appreciate the trust and confidence you have placed in Hampton Bay through the purchase of these chairs. We strive to continually create quality products designed to enhance your home. Visit us online to see our full line of products available for your home improvement needs. Thank you for choosing Hampton Bay!


Table of Contents


Table of Contents 2
Important Safety Instructions 2
 Save These Instructions 2
 Read All Instructions Before Use 2
Warranty 3
 What is covered 3
 What is not covered 3

Pre-Assembly 3
 Planning Assembly 3
 Hardware Included 4
 Arm Chair Package Contents 4
 Armless Chair Package Contents 5
Arm Chair Assembly 6
Armless Chair Assembly 9
Care and Cleaning 10

Important Safety Instructions

SAVE THESE INSTRUCTIONS

 **WARNING:** THESE CHAIRS ARE MADE FOR THE EXPLICIT PURPOSE OF PROVIDING OUTDOOR FUNCTIONS AND IS NOT TO BE USED AS A TOY. THIS PRODUCT IS INTENDED FOR NORMAL OUTDOOR USE; HOWEVER, THE MANUFACTURER RECOMMENDS STORING AND/OR COVERING THIS PRODUCT WHEN ANY FORMIDABLE/SEVERE WEATHER IS APPROACHING.

 **WARNING:** DO NOT LOCATE THIS PRODUCT NEAR OPEN FLAMES. DO NOT USE THIS PRODUCT AS A SUPPORT. DO NOT SHAKE, LEAN OR CLIMB ON THE PRODUCT. CHILDREN UNDER THE AGE OF 10, NEAR THE PRODUCT, SHOULD BE SUPERVISED BY A COMPETENT ADULT AT ALL TIMES. THIS PRODUCT IS NOT INTENDED FOR COMMERCIAL USE AND WILL VOID THE WARRANTY.


READ ALL INSTRUCTIONS BEFORE USE


To reduce the risk of injury to persons:

1. Close supervision is necessary when this furnishing is used by or near children, or disabled persons, if applicable.
2. Use this furnishing only for its intended use as described in these instructions. Do not use attachments not recommended by the manufacturer.
3. Do not move the chair while it is occupied. Failure to obey this caution could result in injury.


 **CAUTION:** When not in use, secure the product in a cool and covered location.

 **CAUTION:** Do not locate the product near any heat sources.

 **WARNING:** Warning: Weight limit for the chair is 300lbs (136.07Kg) for each seat.

 **WARNING:** Please keep children out of the assembly area before assembly.

 **WARNING:** This chair unit is heavy, and may require two adults for safe assembly.

 **WARNING:** Never use this product as a support. Do not shake, lean, or climb on the product at any time.

 **WARNING:** Do not place heavy objects on the chair.

Warranty

2 YEAR FRAME AND 2 YEAR FABRIC LIMITED WARRANTY

WHAT IS COVERED

We warrant the frames to be free of manufacturing defects to the original purchaser for two years, and a two year limited warranty for the fabric.

WHAT IS NOT COVERED

It remains the customer's responsibility for freight and packaging charges to and from our service center. This warranty does not cover commercial use, hardware, acts of nature, fire, freezing and abusive use. In addition, purchased parts are not covered under this warranty. We reserve the right to make substitutions with similar merchandise, if the model in question is no longer in production.

Contact the Customer Service Team at 1-855-HD-HAMPTON or visit www.HOMEDEPOT.ca.

Pre-assembly

PLANNING ASSEMBLY

Read all instructions before assembly.

To avoid damaging this product, assemble it on a soft, non-abrasive surface such as carpet or cardboard.



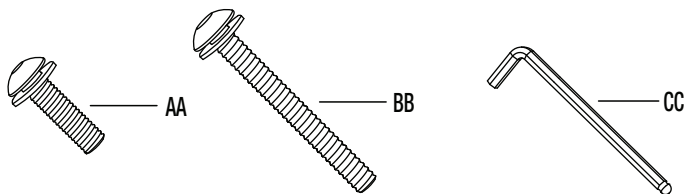
NOTE: More than one person may be required to assemble this product.

Pre-assembly (continued)

HARDWARE INCLUDED

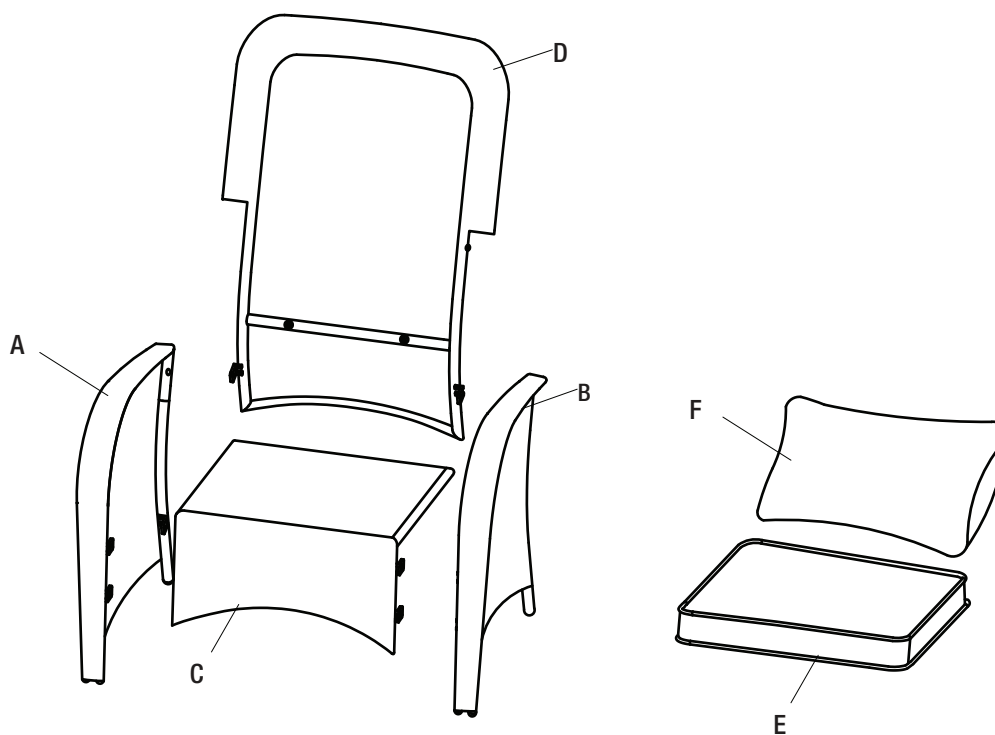


NOTE: Hardware not shown to actual size.



Part	Description	Quantity
AA	M6X20 Combination Bolt	36+1
BB	M6X50 Combination Bolt	12+1
CC	Hex Wrench	1

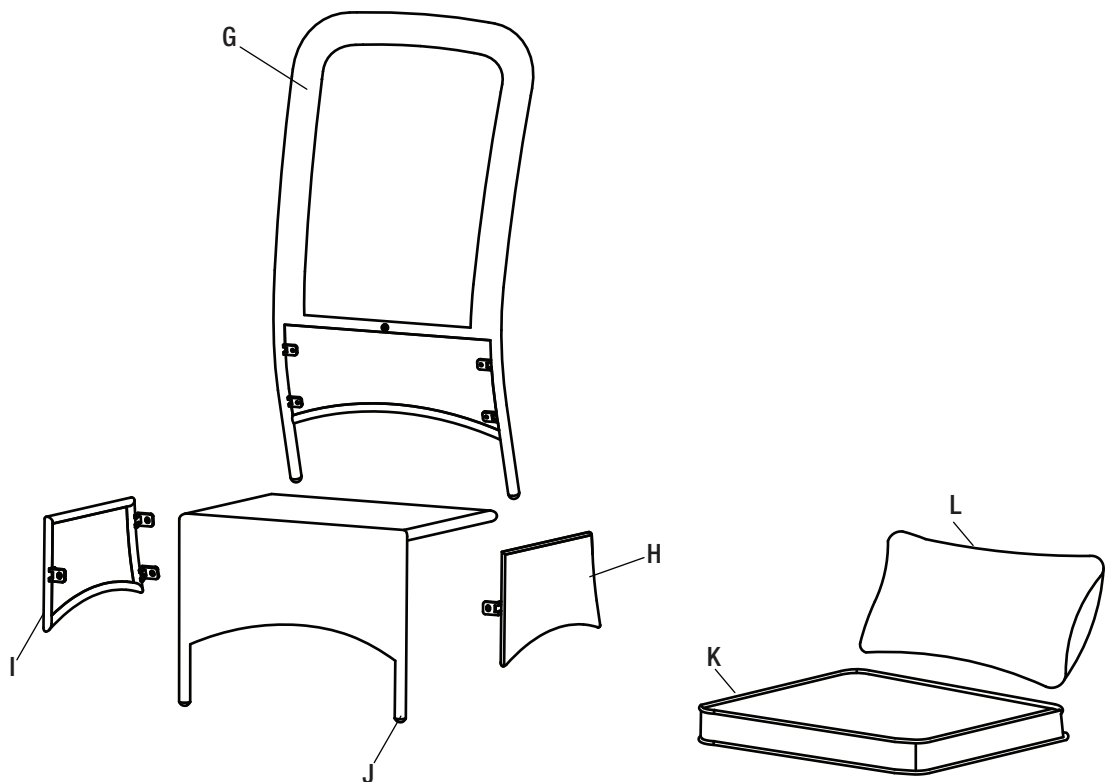
ARM CHAIR PACKAGE CONTENTS



Part	Description	Quantity
A	Arm Chair Right Arm	2
B	Arm Chair Left Arm	2
C	Arm Chair Seat	2
D	Arm Chair Back	2
E	Arm Chair Seat Cushion	2
F	Arm Chair Lumbar	2

Pre-assembly (continued)

ARMLESS CHAIR PACKAGE CONTENTS



Part	Description	Quantity
G	Armless Chair Back	4
H	Left Side Panel	4
I	Right Side Panel	4
J	Armless Chair Seat	4
K	Armless Chair Seat Cushion	4
L	Armless Chair Lumbar	4

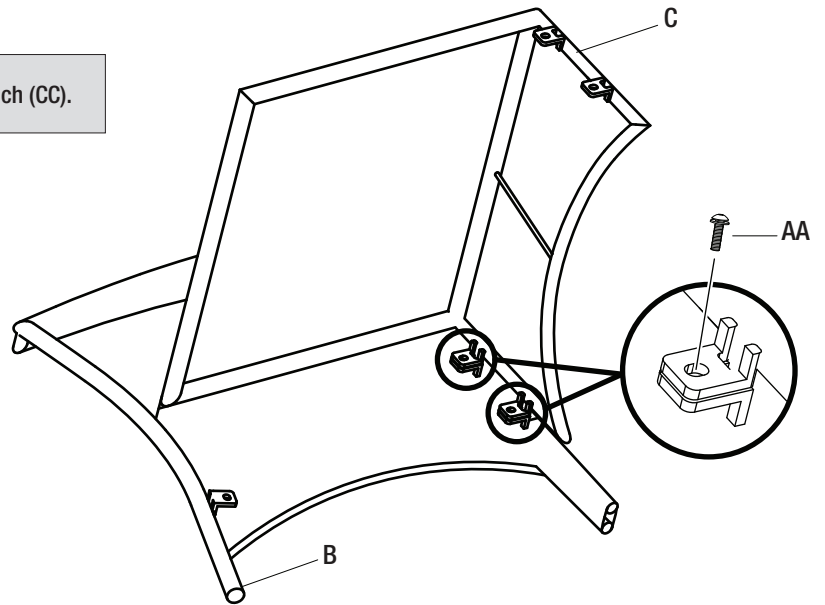
Arm Chair Assembly

1 Attaching The Arm Chair Seat To The Arm Chair Left Arm

- Attach the arm chair seat (C) to the arm chair left arm (B) using M6X20 combination bolts (AA),
- Do not tighten the bolts at this step.



NOTE: Loosley tighten all the bolts using hex wrench (CC).

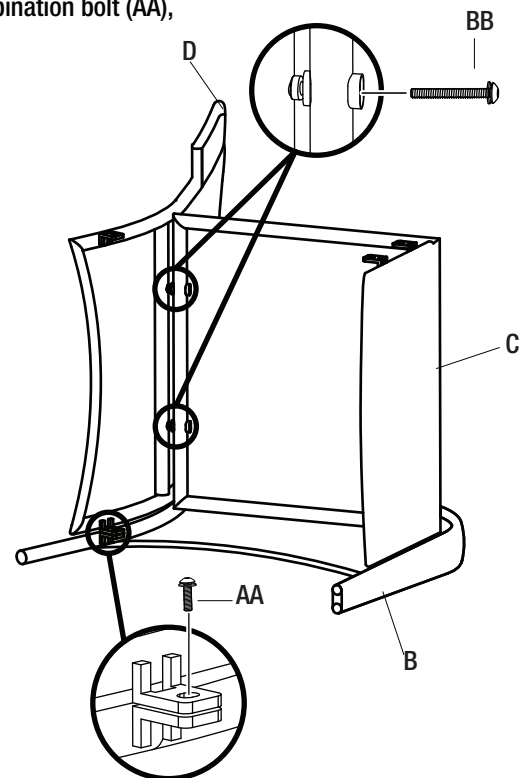


2 Attaching The Arm Chair Back To The Arm Chair Seat And Left Arm

- Attach the arm chair back (D) to the arm chair seat (C) using M6X50 combination bolts (BB),
- Attach the arm chair back (D) to the arm chair left arm (B) using M6X20 combination bolt (AA),
- Do not tighten the bolts at this step.



NOTE: Loosley tighten all the bolts using hex wrench (CC).



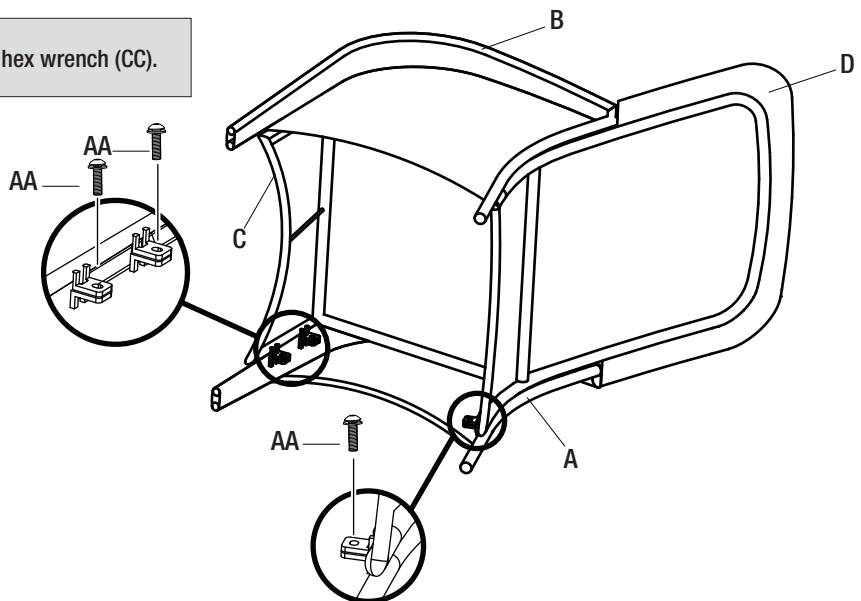
Arm Chair Assembly (continued)

3 Attaching The Arm Chair Right Arm To The Arm Chair Seat And Back

- Attach the arm chair right arm (A) to the arm chair seat (C) using M6X20 combination bolts (AA).
- Attach the arm chair right arm (A) to the arm chair back (D) using M6X20 combination bolt (AA).
- Do not tighten the bolts at this step.



NOTE: Loosley tighten all the bolts using hex wrench (CC).

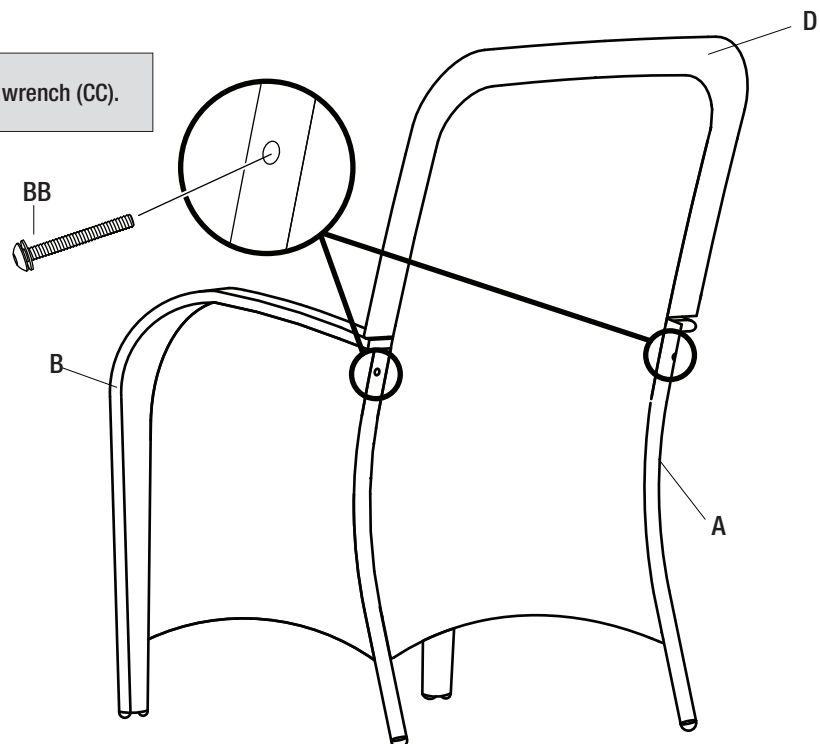


4 Attaching The Arm Chair Back To The Arm Chair Left Arm And Right Arm

- Attach the arm chair back (D) to the arms (A&B) using M6X50 combination bolts (BB).
- Do not tighten the bolts at this step.



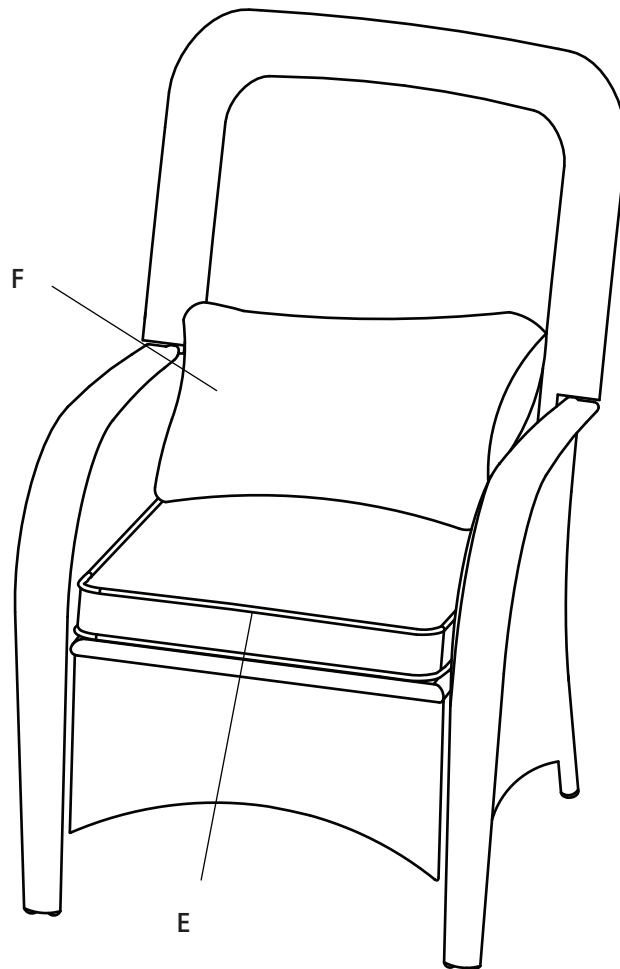
NOTE: Loosley tighten all the bolts using hex wrench (CC).



Arm Chair Assembly (continued)

5 Tightening The Bolts

- Once all of the bolts are in place, fully tighten the bolts using the hex wrench (CC).
- Place the arm chair seat cushion (E) and the arm chair lumbar (F) to finish the assembly of the arm chair.
- Ensure all connections are secure before use.



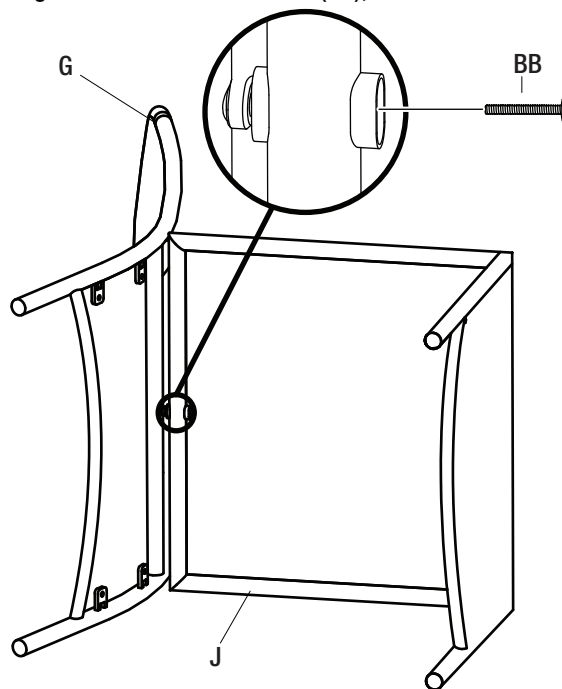
Armless Chair Assembly

1 Attaching The Armless Chair Seat To The Armless Chair Back

- Attach the armless chair seat (J) to the armless chair back (G) using M6X50 combination bolts (BB),
- Do not tighten the bolts at this step.



NOTE: Loosley tighten all the bolts using hex wrench (CC).

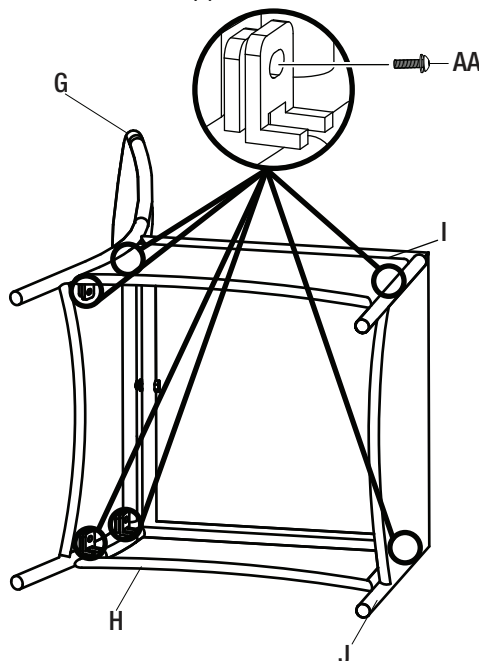


2 Attaching The Side Panels To The Armless Chair Seat And Back

- Attach the left side panel (H) to the armless chair seat (J) using an M6x20 combination bolt (AA).
- Attach the left side panel (H) to the armless chair back (G) using M6x20 combination bolts (AA).
- Repeat above steps to assemble the right side panel (I) to the armless chair seat (J) and the armless chair back (G).
- Do not fully tighten all the bolts at this step.



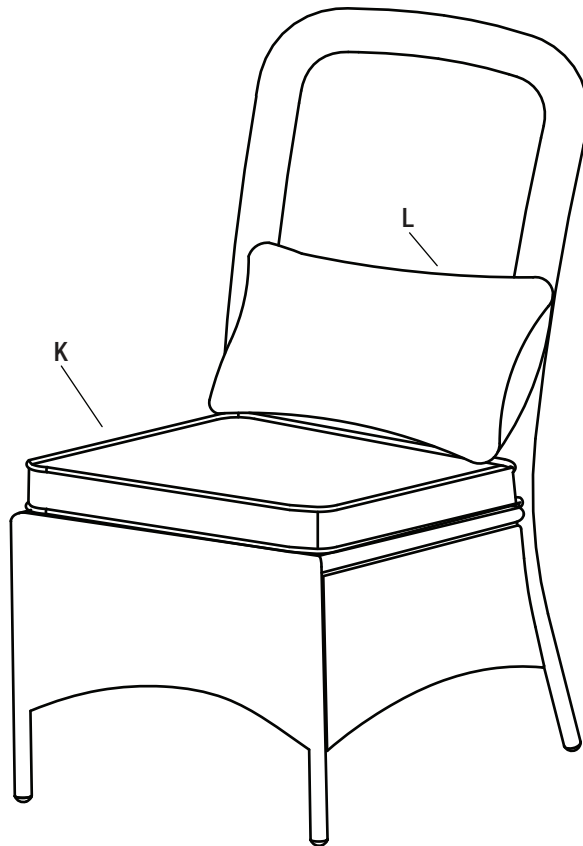
NOTE: Loosley tighten all the bolts using hex wrench (CC).



Armless Chair Assembly (continued)

3 Tightening The Bolts

- Once all of the bolts are in place, fully tighten the bolts using the hex wrench (CC).
- Turn the armless chair right side up.
- Place the armless chair seat cushion (K) and the armless chair lumbar (L) to finish the assembly of the chair.
- Ensure all connections are secure before use.



Care and Cleaning

- For best results, clean the frame and cushions with a damp cloth and dry thoroughly. This will help prevent mildew by removing dirt particles that may accumulate.
- Do not clean with abrasive materials, bleach or solvents.
- Clean the dining chair fabric with a mild soap and water mixture. Rinse thoroughly with clean water and allow fabric to air dry completely.
- Always keep the dining chair closed when it is not in use.
- Keep the dining chair out of fire, extreme heat, freezing conditions, and inclement weather as rain, hail, sleet, snow, or wind.

HAMPTON BAY®

Questions, problems, missing parts? Before returning to the store,
call Hampton Bay Customer Service
8 a.m. – 7 p.m., EST, Monday – Friday, 9 a.m. – 6 p.m., EST, Saturday

1-855-HD-HAMPTON

HOMEDEPOT.CA

Retain this manual for future use.

For certification use only
Factory Arm Chair ID# FRS80937A
Factory Armless Chair ID# FRS80938A